



STAMPING PRODUCTS CATALOG

QINGDAO VENIT IMPORT AND EXPORT CO., LTD

Tel: +86-532-80921252

Fax: +86-532-80921252

Wechat / WhatsApp: +86-18954297651

Sales Manger: Jason E-mail: sales@qdvenit.com

Website:WWW.QDVENIT.COM



CONTENT

A	连接环	STEEL CARABINER	02
B	安全钩	STEEL SNAP HOOK	08
C	环类	D-RING	16
D	巴扣	BUCKLE	22
E	铝连接环	ALUMINUM CARABINER	34
F	铝旋转环	ALUMINUM SWIVEL RING	56
G	铝安全扣	ALUMINUM STEEL SNAP HOOK	62
H	铝环类	ALUMINUM D-RING	64
I	铝巴扣	ALUMINUM BUCKLE	68
J	绝缘类	DIELECTRIC	74
K	抓绳器	ROPE GRABBER	76

STEEL 连接环 CARABINER

A

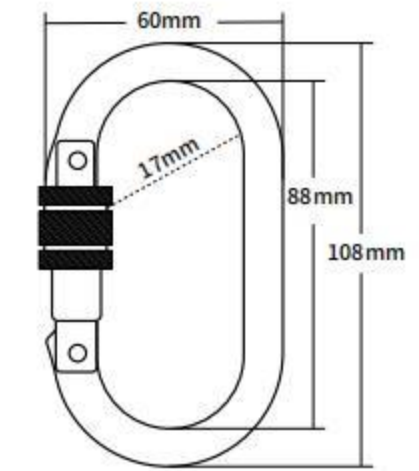


JS-1011

Fall Protection /Strong Tensile /Mountain Climbing Steel Carabiner

Cold formed steel,Heat treated

- Min. Breaking load: 5000lbs/25kN
- Net weight: 176g
- Meets or Exceeds: EN362-2004

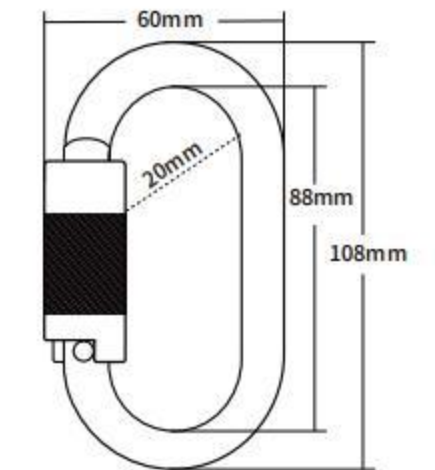


JS-1012

Professional High Load Bearing Climbing Safety Self-Locking Steel Carabiner

Cold formed steel,Heat treated

- Min. Breaking load: 5000lbs/23kN
- Net weight: 170g
- Meets or Exceeds: EN362-2004

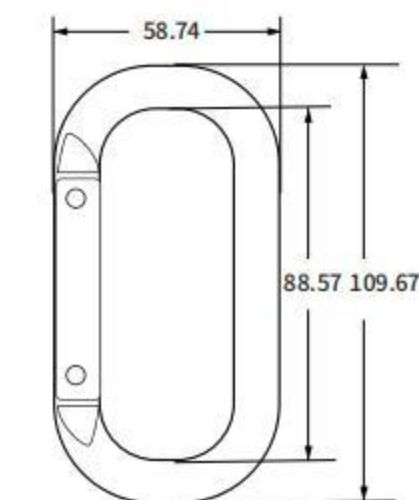


JS-1014

Safety Steel Carabiner For Outdoor Activity

Cold formed steel,Heat treated

- Min. Breaking load: 5000lbs/23kN
- Net weight: 157g
- Meets or Exceeds: EN362-2004

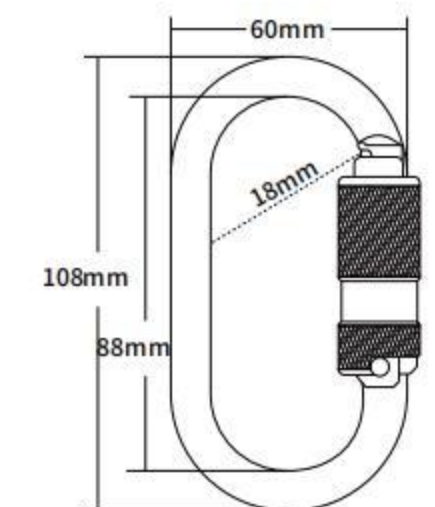


JS-1015

Climbing /Emergency Rescue /SelfLocking Steel Carabiner

Cold formed steel,Heat treated

- Min. Breaking load: 5000lbs/23kN
- Net weight: 209g
- Meets or Exceeds: ANSI Z359.12-19, CSA Z259.12-16, EN362-2004

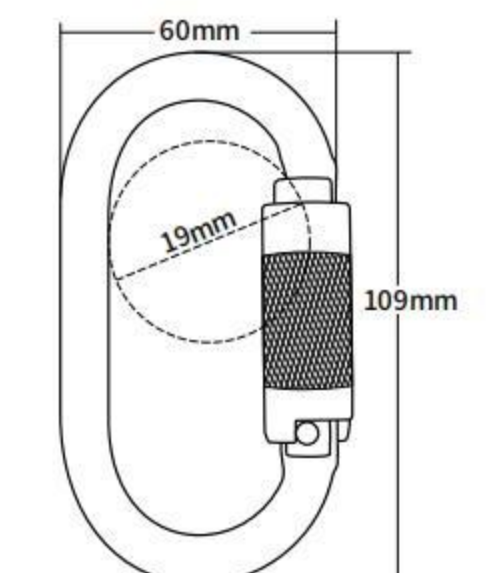


JS-1018

High Quality Steel Carabiner For Climbing / Fall Protection /Working At Heights / Full Body Harness Accessories

Cold formed steel,Heat treated

- Min. Breaking load: 5000lbs/25kN
- Net weight: 196g
- Meets or Exceeds: EN362-2004

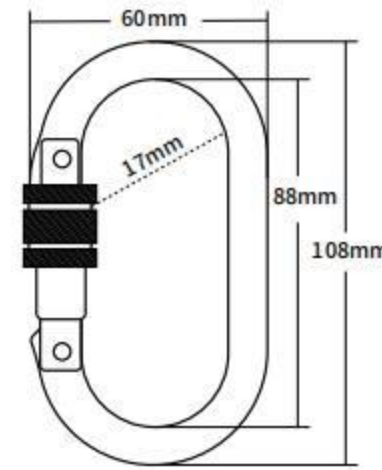


JS-1019

High Quality Steel Carabiner For Climbing / Fall Protection / Working At Heights / Full Body Harness Accessories

Cold formed steel, Heat treated

- Min. Breaking load: 5000lbs/25kN
- Net weight: 163.5g
- Meets or Exceeds: EN362-2004

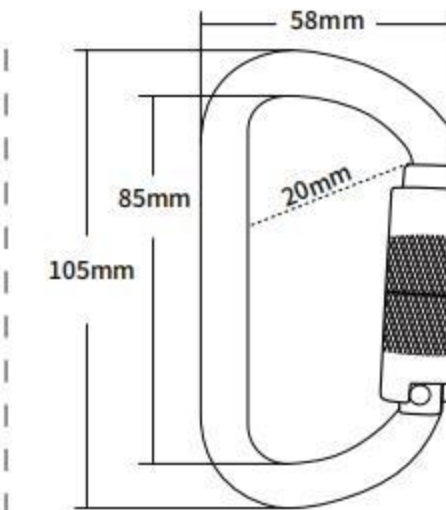


JS-1062

D shaped Self-locking Safety Steel Carabiner

Cold formed steel, Heat treated

- Min. Breaking load: 5000lbs/23kN
- Net weight: 165g
- Meets or Exceeds: EN362-2004

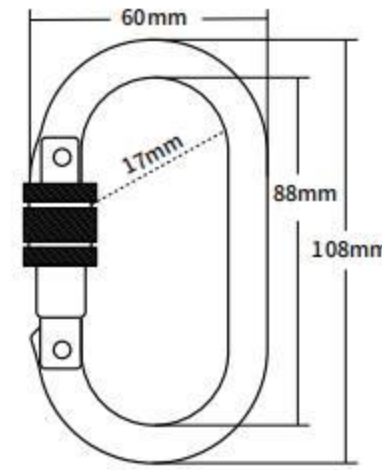


JS-S1019

High Quality Steel Carabiner For Climbing / Fall Protection / Working At Heights / Full Body Harness Accessories

Cold formed steel, Heat treated

- Min. Breaking load: 5000lbs/25kN
- Net weight: 166g
- Meets or Exceeds: EN362-2004

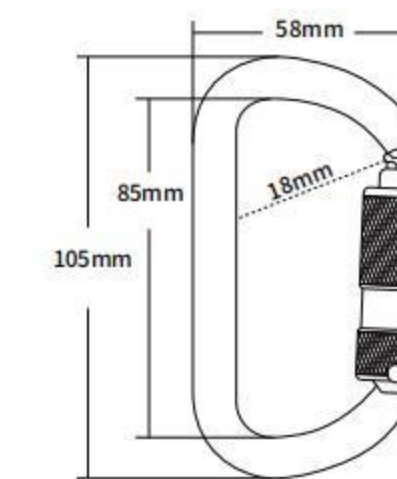


JS-1065

30KN High Quality Cold Formed Steel Self-Locking Carabiner

Cold formed steel, Heat treated

- Min. Breaking load: 6500lbs/30kN
- Net weight: 208g
- Meets or Exceeds: ANSI Z359.12-19, CSA Z259.12-16, EN362-2004

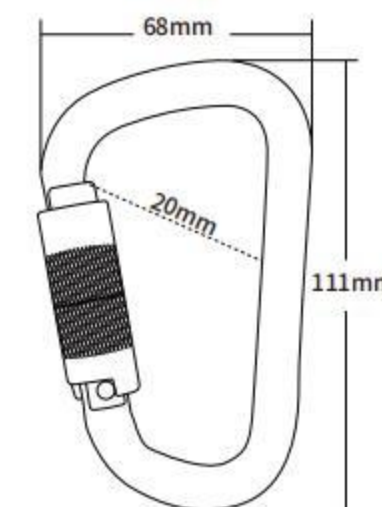


JS-1022

30KN Self-Locking Steel Carabiner For Full Body Harness Accessories

Cold formed steel, Heat treated

- Min. Breaking load: 6500lbs/30kN
- Net weight: 207g
- Meets or Exceeds: EN362-2004

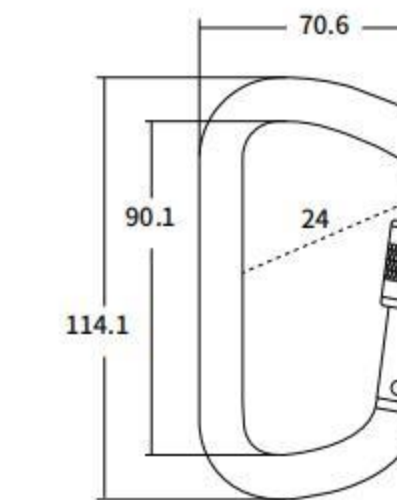


JS-1071

Outdoor Sports Steel Carabiner For Climbing

Cold formed steel, Heat treated

- Min. Breaking load: 10000lbs/45kN
- Net weight: 250g
- Meets or Exceeds: EN362-2004

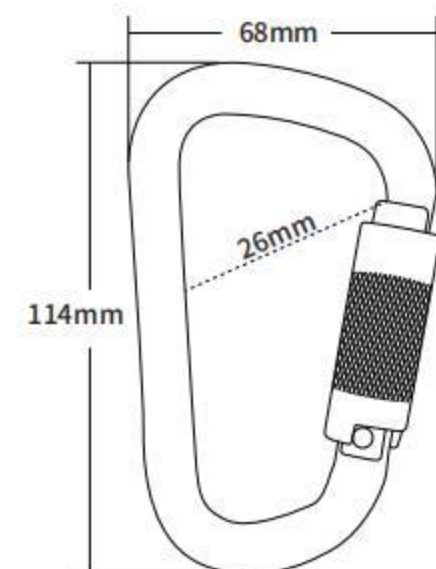


JS-1038

Full Body Safety Harness Steel Carabiner

Cold formed steel, Heat treated

- Min. Breaking load: 35kN
- Net weight: 253.3g
- Meets or Exceeds: EN362-2004

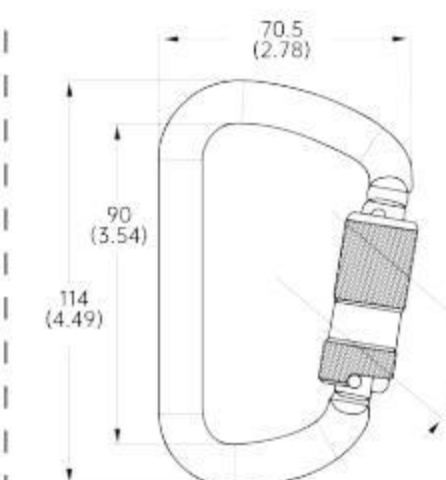


JS-1075

45KN High Quality High Strength Classic D Self-Locking Carabiner

Cold formed steel, Heat treated

- Min. Breaking load: 10000lbs/45kN
- Net weight: 278g
- Meets or Exceeds: ANSI Z359.12-19, CSA Z259.12-16, EN362-2004

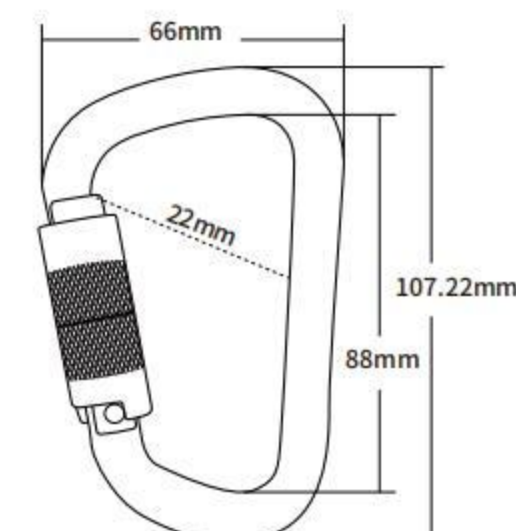


JS-1052

30KN Fall Protection Self-Locking Steel Carabiner

Cold formed steel, Heat treated

- Min. Breaking load: 6500lbs/30kN
- Net weight: 169g
- Meets or Exceeds: EN362-2004

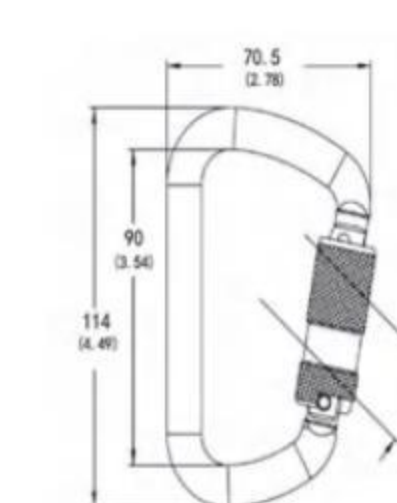


JS-1077

Engraving Available Steel Carabiner For Rock Climbing

Cold formed steel, Heat treated

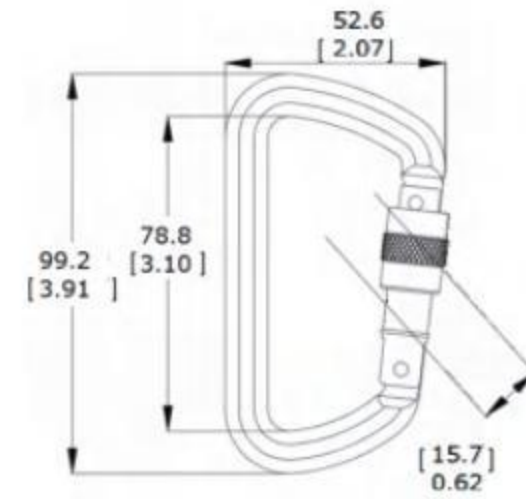
- Min. Breaking load: 10000lbs/45kN
- Net weight: 282g
- Meets or Exceeds: ANSI Z359.12-19, CSA Z259.12-16, EN362-2004



JS-1099

Mini / Safety Steel Carabiner For Mountain Climbing

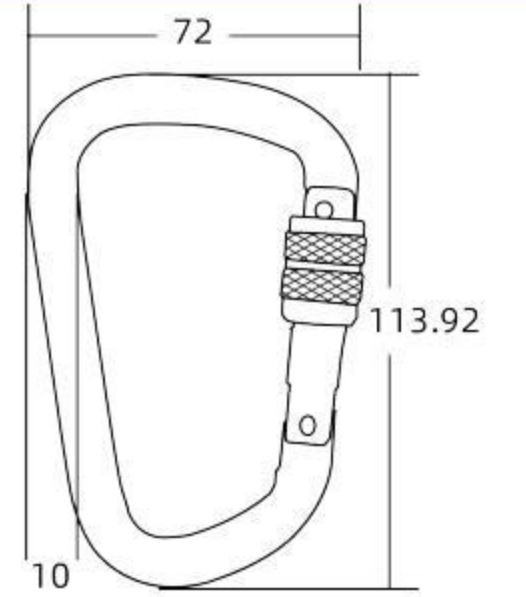
- Cold formed steel, Heat treated
- Min. Breaking load: 5000lbs/23kN
 - Net weight: 146g
 - Meets or Exceeds: EN362-2004



JS-1179

Full Body Safety Harness Steel Carabiner

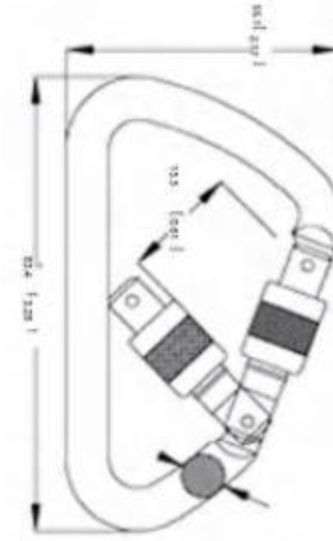
- Cold formed steel
- Min. Breaking load: 5000lbs/23kN
 - Net weight: 206.8g
 - Meets or Exceeds: EN362-2004



JS-1121

Safety Protection Steel Carabiner

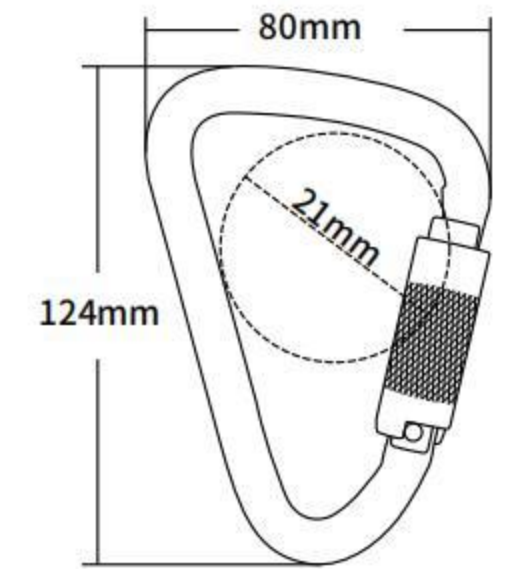
- Cold formed steel, Heat treated
- Min. Breaking load: 5000lbs/23KN
 - Net weight: 107g
 - Meets or Exceeds: EN362-2004



JS-1198

Full Body Safety Harness Steel Carabiner

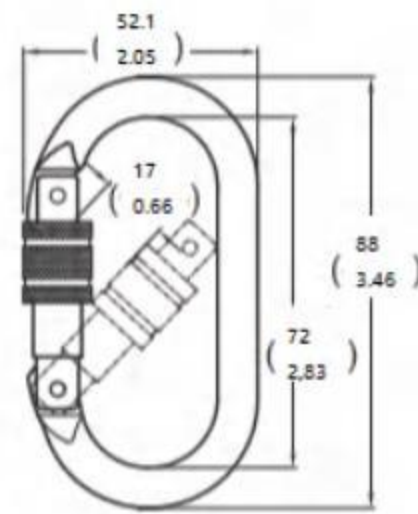
- Cold formed steel, Heat treated
- Min. Breaking load: 35kN
 - Net weight: 233.5g
 - Meets or Exceeds: EN362-2004



JS-1131

Full Body Safety Harness Steel Carabiner

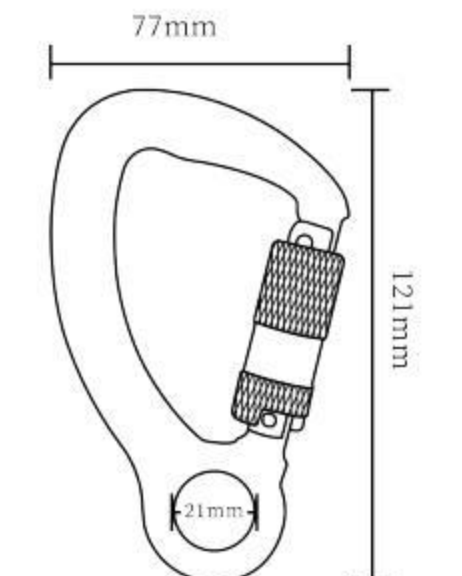
- Cold formed steel, Heat treated
- Min. Breaking load: 5000lbs/23KN
 - Net weight: 113.8g
 - Meets or Exceeds: EN362-2004



JS-1205

Full Body Safety Harness Steel Carabiner

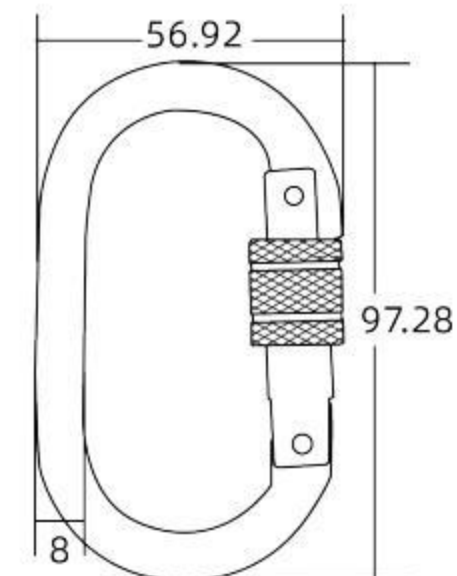
- Cold formed steel, Heat treated
- Min. Breaking load: 45kN
 - Net weight: 266g
 - Meets or Exceeds: ANIS Z359.12-19 CSA Z259.12-16 EN362-2004



JS-1151

Full Body Safety Harness Steel Carabiner

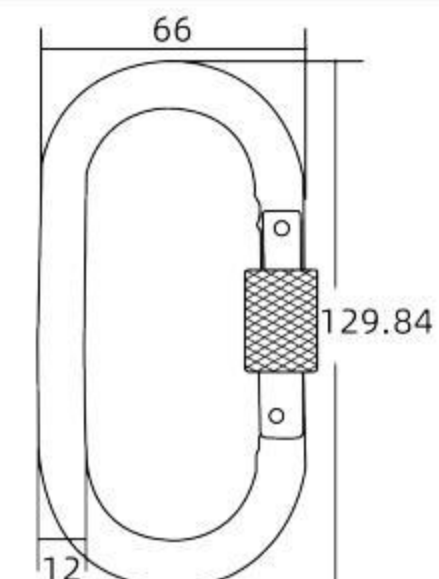
- Cold formed steel, Heat treated
- Min. Breaking load: 5000lbs/23KN
 - Net weight: 141g
 - Meets or Exceeds: EN362-2004



JS-1169

Full Body Safety Harness Steel Carabiner

- Cold formed steel, Heat treated
- Min. Breaking load: 5000lbs/23kN
 - Net weight: 259g
 - Meets or Exceeds: EN362-2004



B



STEEL 安全钩 SNAP HOOK

JS-2011

Fall Protection/Working At Heights High Strength Steel Snap Hook

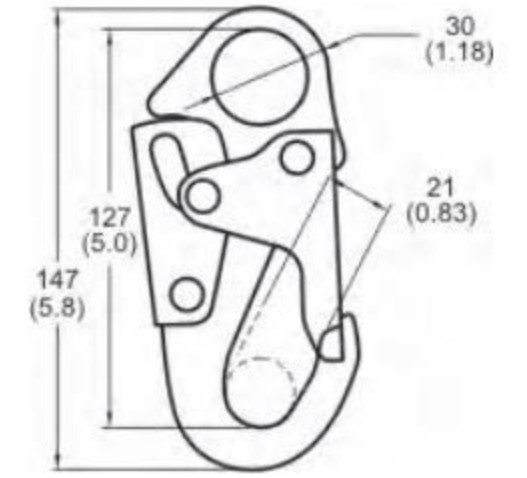
Forged steel, Heat treated

100% Proof loaded to 3600lbs/16kN

• Min. Breaking load: 5000lbs/23kN

• Net weight: 413g

• Meets or Exceeds: ANSI Z359.12-19, CSA Z259.12-16
EN362-2004



JS-2031

Climbing Harness/Full Body Harness/Fall Protection Steel Snap Hook

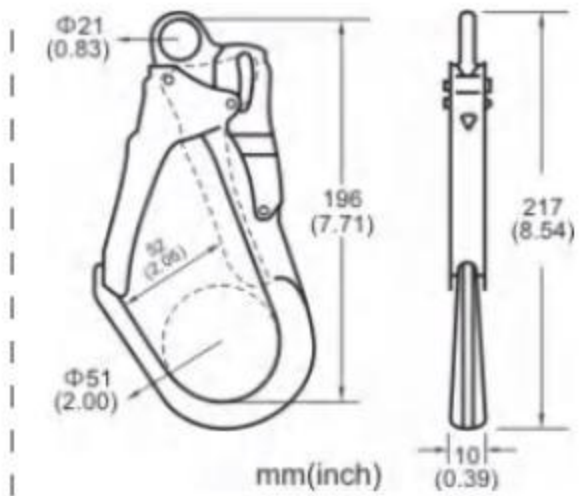
Forged steel, Heat treated

100% Proof loaded to 3600lbs/16kN

• Min. Breaking load: 5000lbs/23kN

• Net weight: 482.7g

• Meets or Exceeds: EN362-2004



JS-2081

Safety Steel Snap Hook For Outdoor Activities / Working At Heights

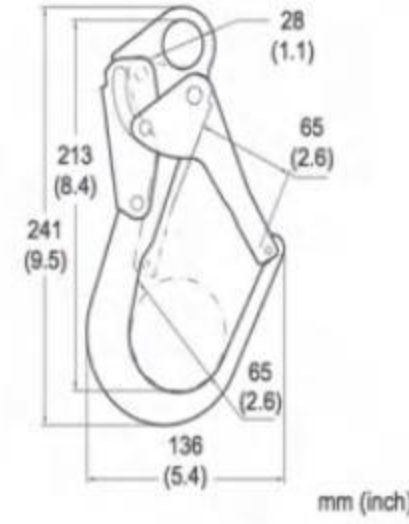
Sheet steel, Heat treated

100% Proof loaded to 3600lbs/16kN

• Min. Breaking load: 5000lbs/23kN

• Net weight: 750.5g

• Meets or Exceeds: ANSI Z259.12-09, CSA Z259.12-16
EN362-2004



JS-2101

High Strength Steel Rope Snap Hook

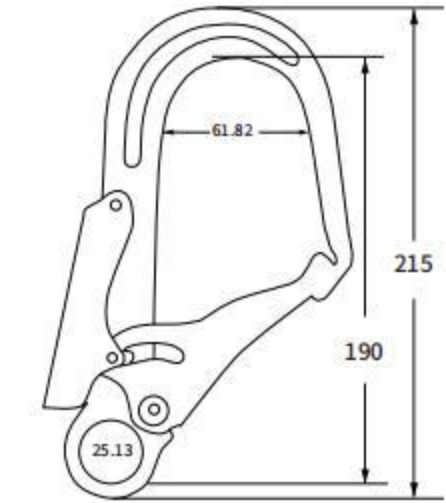
Sheet steel, Heat treated

100% Proof loaded to 3600lbs/16kN

• Min. Breaking load: 5000lbs/23kN

• Net weight: 354.9g

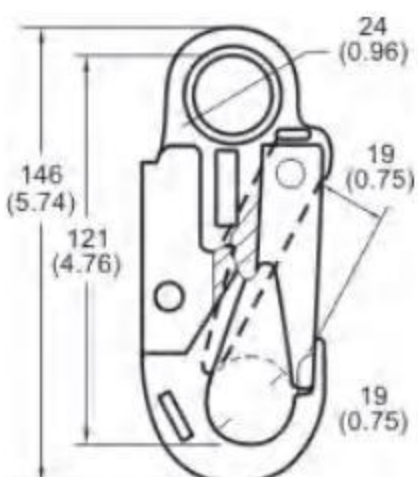
• Meets or Exceeds: EN362-2004



JS-2041

Heavy Duty /Stamped /Mountain Climbing Steel Snap Hook

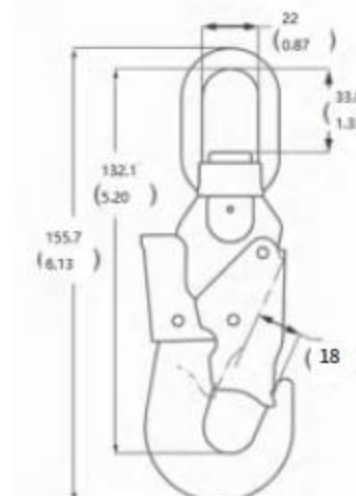
- Sheet steel, Heat treated
- 100% Proof loaded to 3600lbs/16kN
- Min. Breaking load: 5000lbs/23kN
- Net weight: 292g
- Meets or Exceeds: EN362-2004



JS-2201

Climbing Swivel Survival Steel Snap Hook

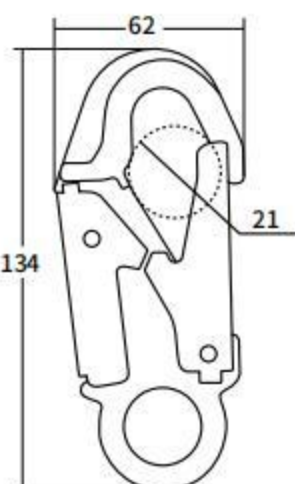
- Sheet steel, Heat treated
- 100% Proof loaded to 3600lbs/16kN
- Min. Breaking load: 5000lbs/23kN
- Net weight: 234g
- Meets or Exceeds: EN362-2004



JS-2042

Climbing Swivel Survival Steel Snap Hook

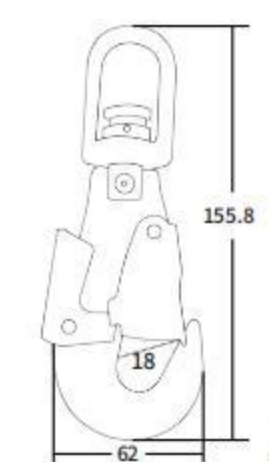
- Sheet steel, Heat treated
- 100% Proof loaded to 3600lbs/16kN
- Min. Breaking load: 5000lbs/25kN
- Net weight: 304g
- Meets or Exceeds: EN362-2004



JS-2201-N

Steel Snap Hook For Climbing And Emergency Rescue

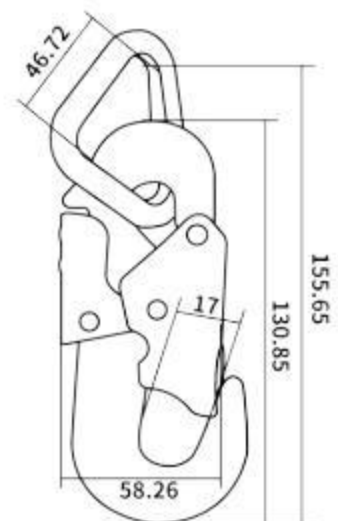
- Sheet steel, Heat treated
- 100% Proof loaded to 3600lbs/16kN
- Min. Breaking load: 5000lbs/23kN
- Net weight: 790g
- Meets or Exceeds: EN362-2004



JS-2053

Small Steel Hook

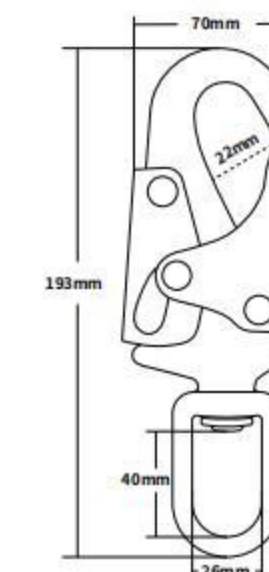
- Sheet steel, Heat treated
- Min. Breaking load: 5000lbs/23kN
- Net weight: 261.4g
- Meets or Exceeds: EN362-2004



JS-2211

Steel Snap Hook For Climbing And Emergency Rescue

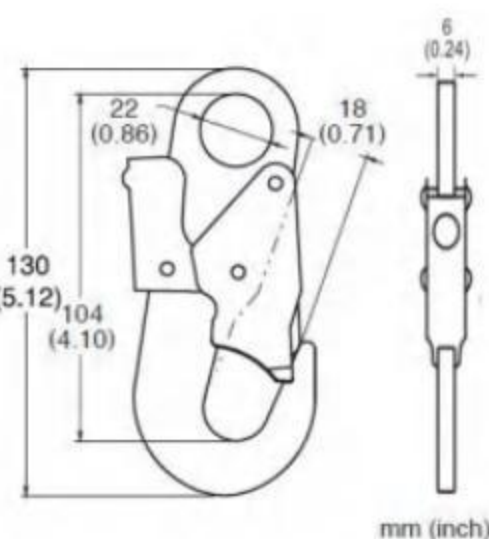
- Sheet steel, Heat treated
- 100% Proof loaded to 3600lbs/16kN
- Min. Breaking load: 5000lbs/25kN
- Net weight: 488g
- Meets or Exceeds: ANSI Z359.12-19, CSA Z259.12-16, EN362-2004



JS-2050 (4.5mm)

Hot Air Ballooning /Fall Protection Stamped Steel Snap Hook

- Sheet steel, Heat treated
- 100% Proof loaded to 3600lbs/16kN
- Min. Breaking load: 5000lbs/23kN
- Net weight: 190g
- Meets or Exceeds: EN362-2004



JS-2211-N

Steel Snap Hook For Climbing And Emergency Rescue

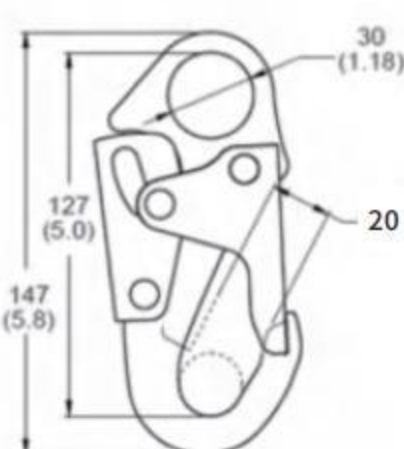
- Sheet steel, Heat treated
- 100% Proof loaded to 3600lbs/16kN
- Min. Breaking load: 5000lbs/25kN
- Net weight: 504g
- Meets or Exceeds: ANSI Z359.12-19, CSA Z259.12-16, EN362-2004



JS-2091

High Strength Steel Rope Snap Hook

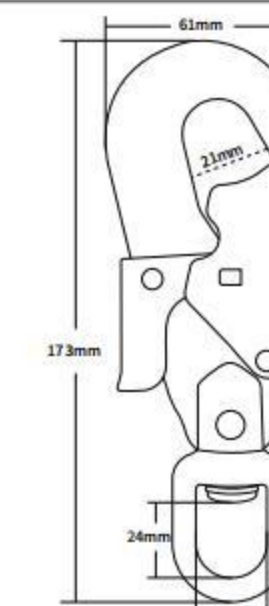
- Sheet steel, Heat treated
- 100% Proof loaded to 3600lbs/16kN
- Min. Breaking load: 5000lbs/23kN
- Net weight: 367g
- Meets or Exceeds: ANSI Z359.12-09, CSA Z259.12-16, EN362-2004



JS-2232-N

Steel Snap Hook For Climbing And Emergency Rescue

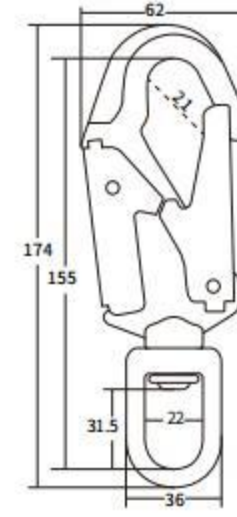
- Sheet steel, Heat treated
- 100% Proof loaded to 3600lbs/16kN
- Min. Breaking load: 5000lbs/25kN
- Net weight: 338g
- Meets or Exceeds: EN362-2004



JS-2242

Climbing Swivel Survival Steel Snap Hook

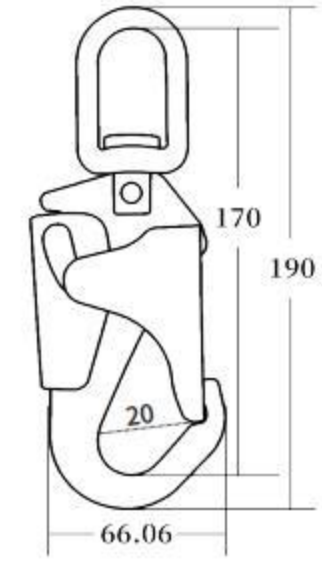
- Sheet steel, Heat treated
 100% Proof loaded to 3600lbs/16kN
- Min. Breaking load: 5000lbs/23kN
 - Net weight: 386g
 - Meets or Exceeds: ANSI z259.12-09, CSA z259.12-11, EN362-2004



JS-2291

Climbing Swivel Survival Steel Snap Hook

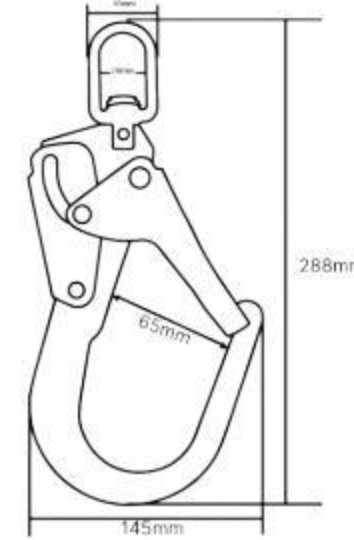
- Sheet steel, Heat treated
 100% Proof loaded to 3600lbs/16kN
- Min. Breaking load: 5000lbs/23kN
 - Net weight: 472g
 - Meets or Exceeds: ANSI Z359.12-19, CSA Z259.12-16, EN362-2004



JS-2281

Small Steel Hook

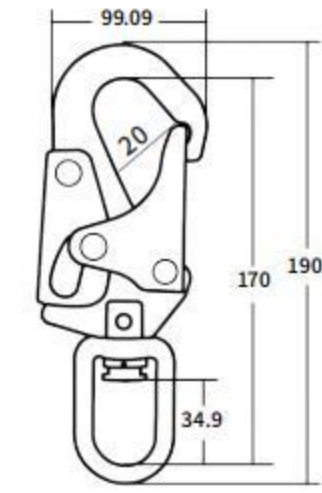
- Sheet steel, Heat treated
 100% Proof loaded to 3600lbs/16kN
- Min. Breaking load: 5000lbs/23kN
 - Net weight: 850g
 - Meets or Exceeds: ANSI z259.12-09, CSA z259.12-11, EN362-2004



JS-2291-N

Climbing Swivel Survival Steel Snap Hook

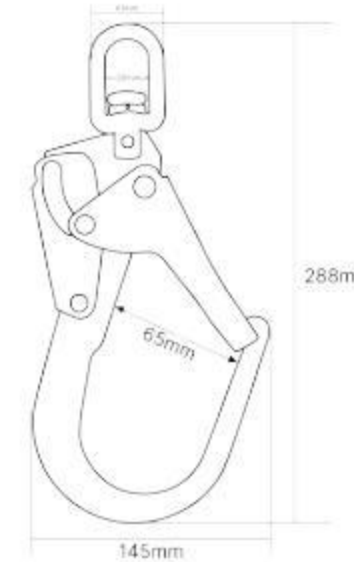
- Sheet steel, Heat treated
 100% Proof loaded to 3600lbs/16kN
- Min. Breaking load: 5000lbs/23kN
 - Net weight: 472.3g
 - Meets or Exceeds: ANSI Z359.12-19, CSA Z259.12-16, EN362-2004



JS-2281-N

High Strength Steel Rope Snap Hook

- Sheet steel, Heat treated
 100% Proof loaded to 3600lbs/16kN
- Min. Breaking load: 5000lbs/23kN
 - Net weight: 852g
 - Meets or Exceeds: ANSI z259.12-09, CSA z259.12-11, EN362-2004



D-RING

环类

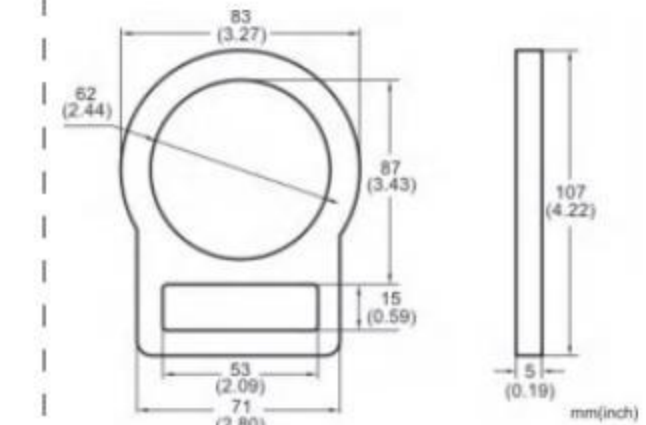
C



JS-3001

Fall Protection /Full Body Harness
Stamped D-Ring

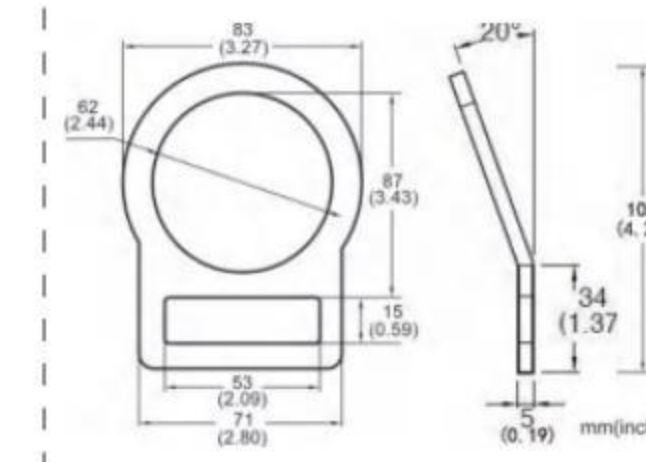
- Sheet steel, Heat treated
- 100% Proof loaded to 3600lbs/16kN
- Min. Breaking load: 5000lbs/23kN
- Net weight: 141g
- Meets or Exceeds: ANSI Z359.12-19, CSA Z259.12-16



JS-3001-1

Fall Protection /Full Body Harness
Stamped Bent D-Ring

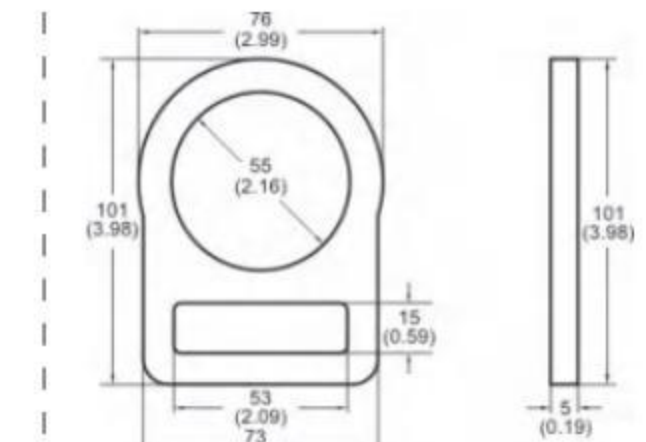
- Sheet steel, Heat treated
- 100% Proof loaded to 3600lbs/16kN
- Min. Breaking load: 5000lbs/23kN
- Net weight: 136.9g
- Meets or Exceeds: ANSI Z359.12-19, CSA Z259.12-16



JS-3002

Fall Protection /Full Body Harness
Stamped D-Ring

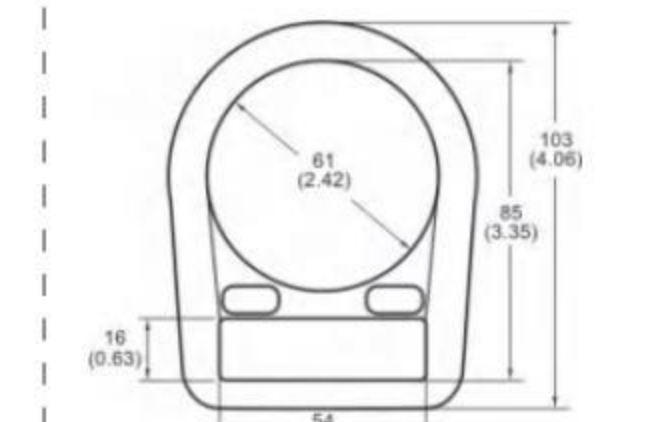
- Sheet steel, Heat treated
- 100% Proof loaded to 3600lbs/16kN
- Min. Breaking load: 5000lbs/23kN
- Net weight: 125g
- Meets or Exceeds: ANSI Z359.12-19, CSA Z259.12-16



JS-3004

Fall Protection /Full Body Harness
Stamped D-Ring

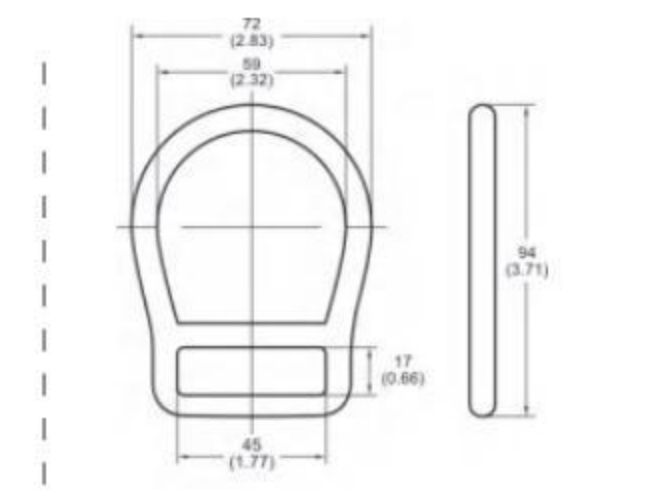
- Forged steel, Heat treated
- 100% Proof loaded to 3600lbs/16kN
- Min. Breaking load: 5000lbs/23kN
- Net weight: 171g
- Meets or Exceeds: ANSI Z359.12-19, CSA Z259.12-16



JS-3005

High Quality /Heavy Duty /Full Body
Harness D-Ring

- Forged steel, Heat treated
- 100% Proof loaded to 3600lbs/16kN
- Min. Breaking load: 5000lbs/23kN
- Net weight: 80g
- Meets or Exceeds: ANSI Z359.12-19, CSA Z259.12-16

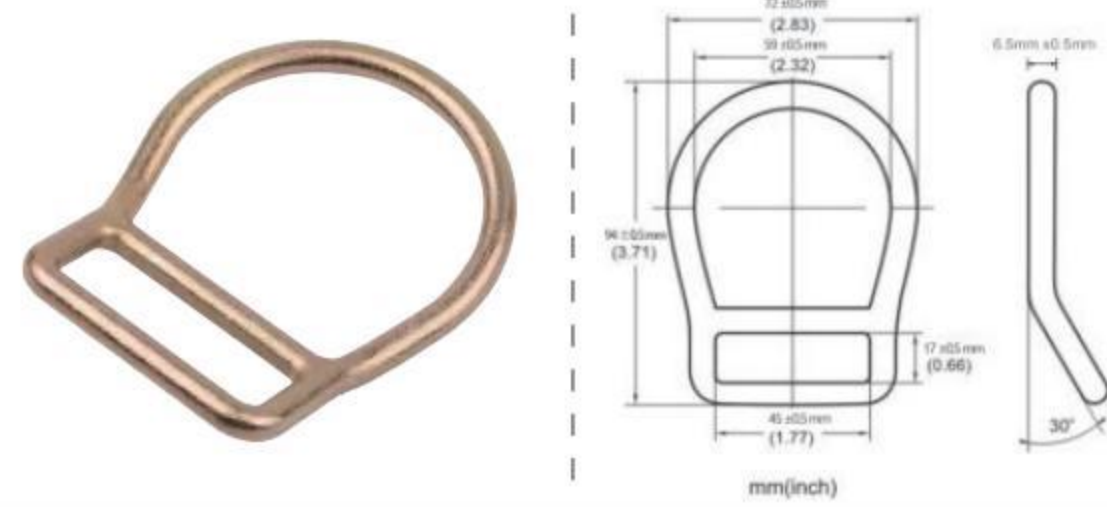


D-RING

JS-3005-1

*Fall Protection /Full Body Harness
Stamped bent D-Ring*

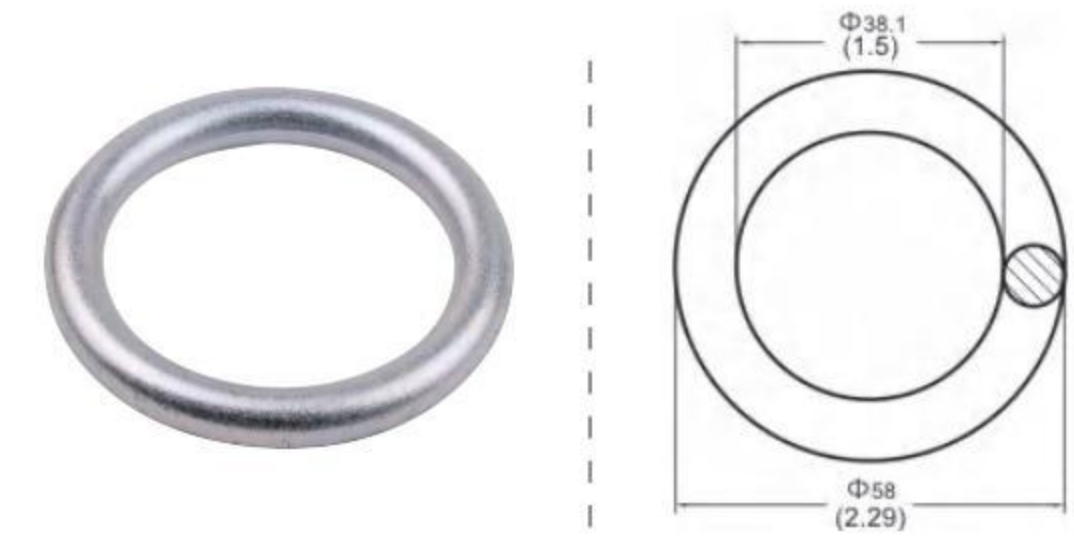
- Forged steel,Heat treated
100% Proof loaded to 3600lbs/16kN
- Min. Breaking load: 5000lbs/23kN
 - Net weight: 81g
 - Meets or Exceeds: ANSI Z359.12-19, CSA Z259.12-16



JS-3011-1

Outdoor Climb Fall Protection D-Ring

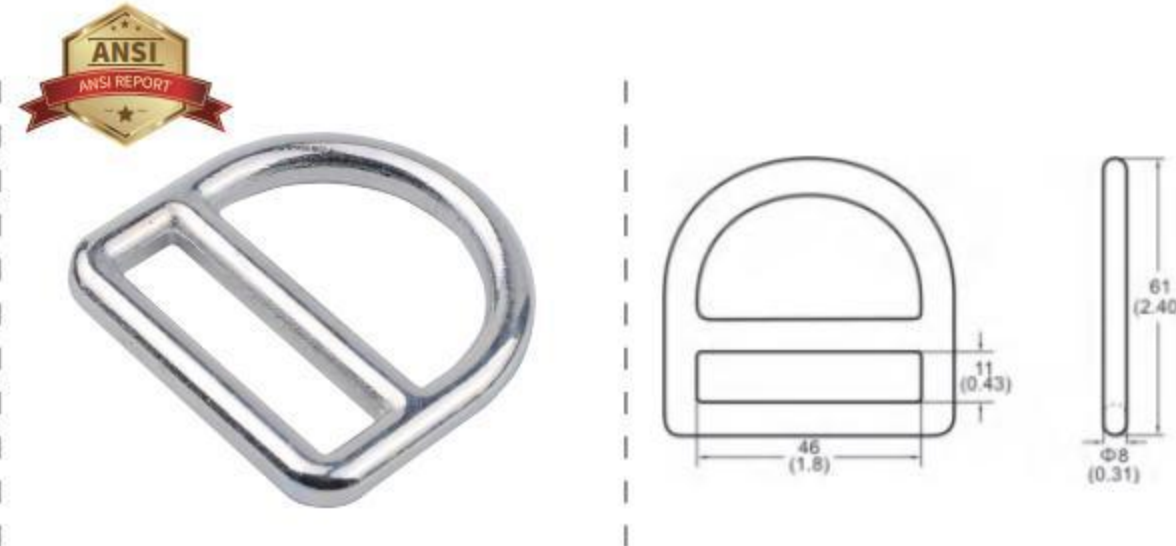
- Forged steel,Heat treated
100% Proof loaded to 3600lbs/16kN
- Min. Breaking load: 5000lbs/23kN
 - Net weight: 96g
 - Meets or Exceeds: ANSI Z359.12-19, CSA Z259.12-16



JS-3006

Outdoor Climb Fall Protection D-Ring

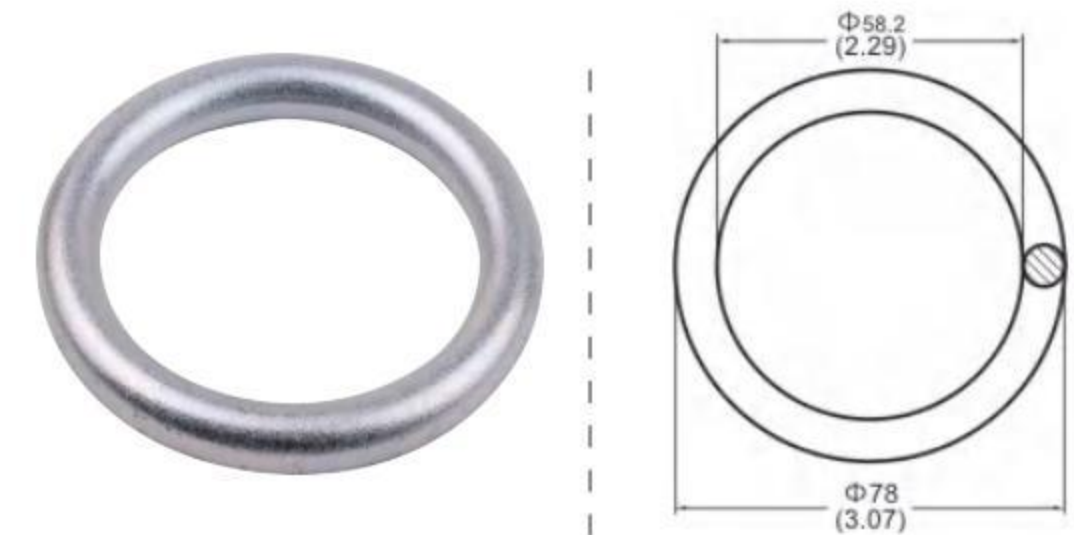
- Forged steel,Heat treated
100% Proof loaded to 3600lbs/16kN
- Min. Breaking load: 5000lbs/23kN
 - Net weight: 100g
 - Meets or Exceeds: ANSI Z359.12-19, CSA Z259.12-16



JS-3011-2

Full Body Harness Accessories O-Ring

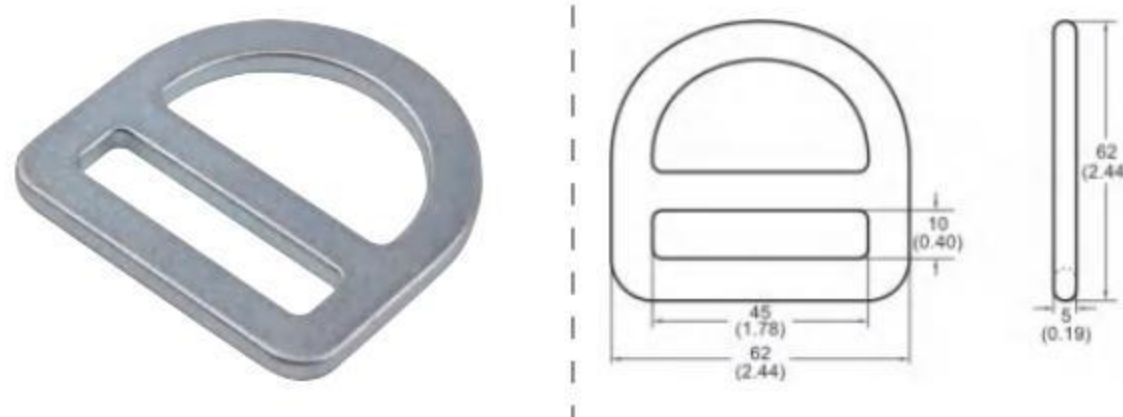
- Forged steel,Heat treated
100% Proof loaded to 3600lbs/16kN
- Min. Breaking load: 5000lbs/23kN
 - Net weight: 130g
 - Meets or Exceeds: ANSI Z359.12-19, CSA Z259.12-16



JS-3008

Outdoor Climb Fall Protection D-Ring

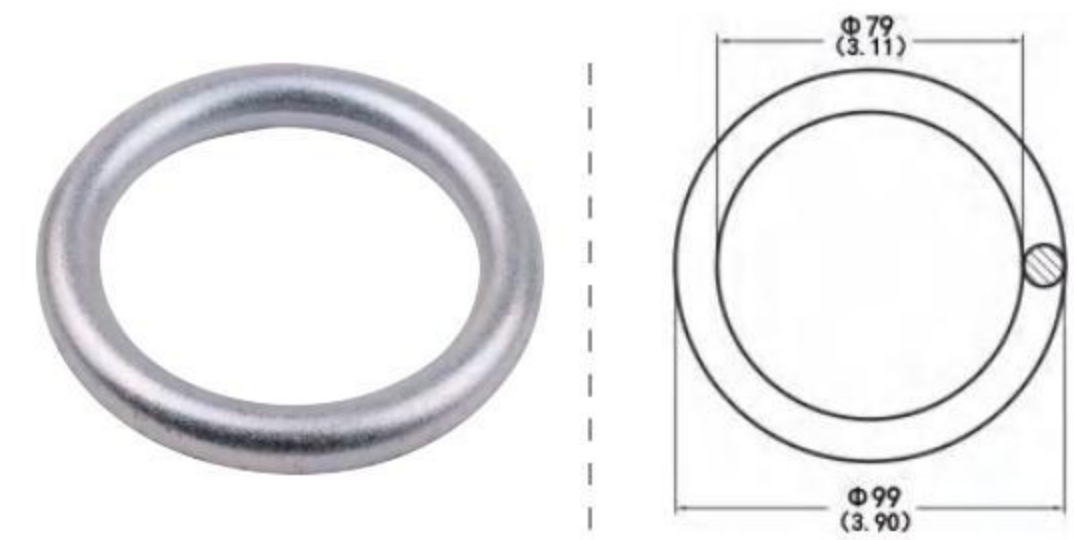
- Sheet steel,Heat treated
100% Proof loaded to 3600lbs/16kN
- Min. Breaking load: 5000lbs/23kN
 - Net weight: 74.6g
 - Meets or Exceeds: ANSI Z359.12-19, CSA Z259.12-16



JS-3011-3

Full Body Harness Accessories O-Ring

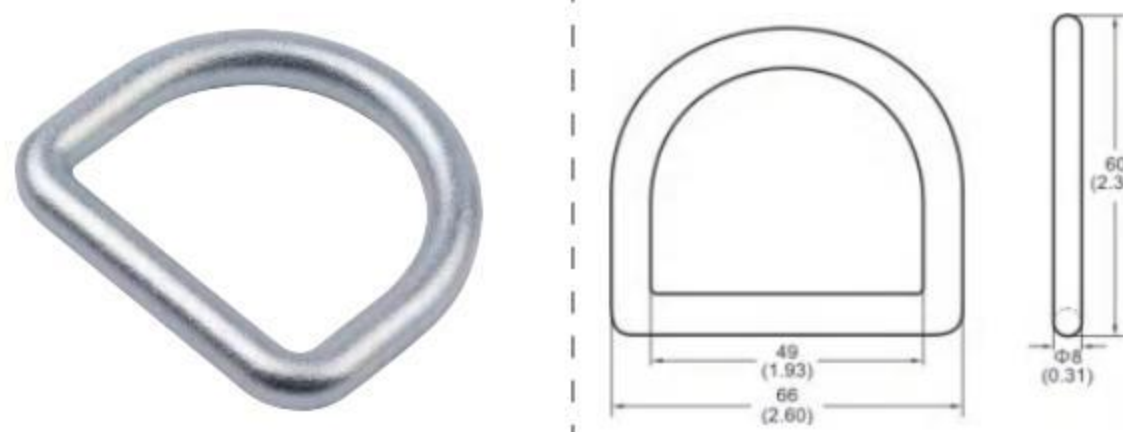
- Forged steel,Heat treated
100% Proof loaded to 3600lbs/16kN
- Min. Breaking load: 5000lbs/23kN
 - Net weight: 176g
 - Meets or Exceeds: ANSI Z359.12-19, CSA Z259.12-16



JS-3009

Outdoor Climb Fall Protection D-Ring

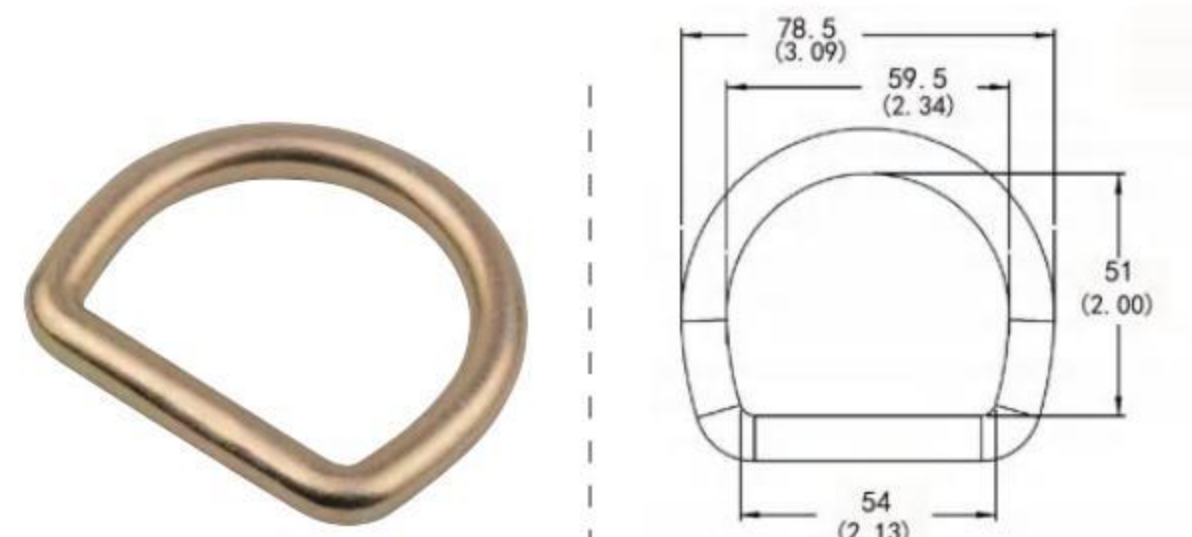
- Forged steel,Heat treated
100% Proof loaded to 3600lbs/16kN
- Min. Breaking load: 5000lbs/23kN
 - Net weight: 77.8g
 - Meets or Exceeds: ANSI Z359.12-19, CSA Z259.12-16



JS-3013

Outdoor Climb Fall Protection D-Ring

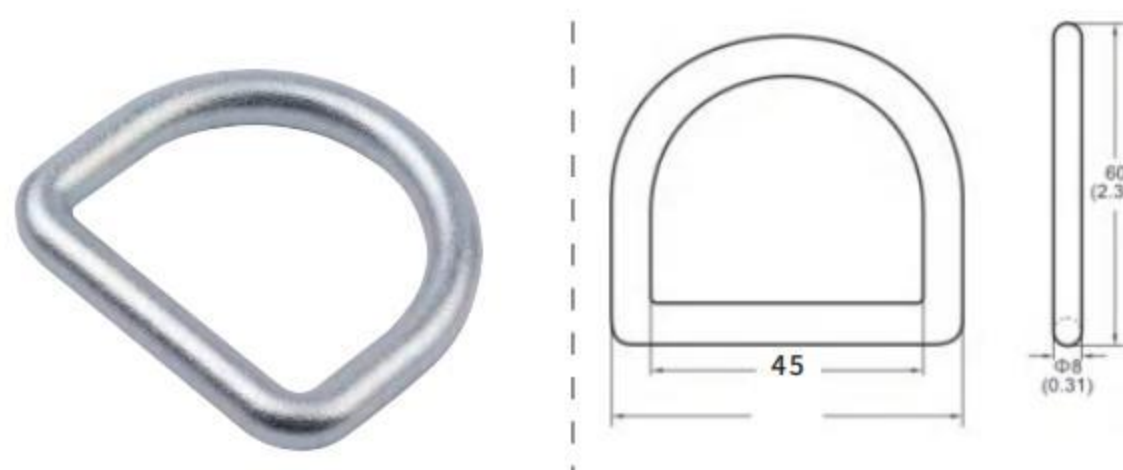
- Forged steel,Heat treated
100% Proof loaded to 3600lbs/16kN
- Min. Breaking load: 5000lbs/23kN
 - Net weight: 130.7g
 - Meets or Exceeds: ANSI Z359.12-19, CSA Z259.12-16



JS-3009-1

Outdoor Climb Fall Protection D-Ring

- Forged steel,Heat treated
100% Proof loaded to 3600lbs/16kN
- Min. Breaking load: 5000lbs/23kN
 - Net weight: 75.6g
 - Meets or Exceeds: ANSI Z359.12-19, CSA Z259.12-16



JS-3014

Outdoor Climb Fall Protection D-Ring

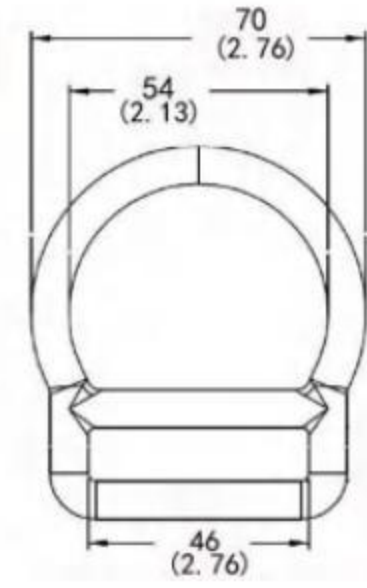
- Forged steel,Heat treated
100% Proof loaded to 3600lbs/16kN
- Min. Breaking load: 5000lbs/23kN
 - Net weight: 156g
 - Meets or Exceeds: ANSI Z359.12-19, CSA Z259.12-16



JS-3015

Outdoor Climb Fall Protection D-Ring

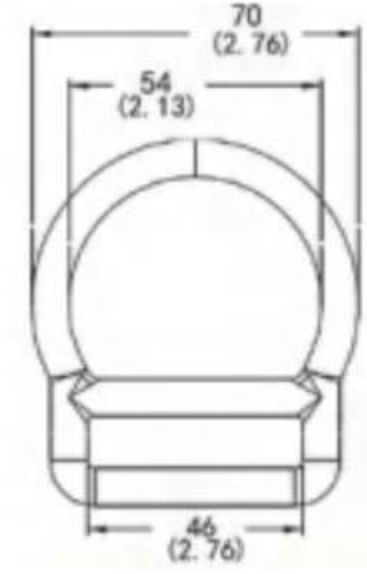
- Forged steel, Heat treated
 100% Proof loaded to 3600lbs/16kN
 • Min. Breaking load: 5000lbs/23kN
 • Net weight: 108.7g
 • Meets or Exceeds: ANSI Z359.12-19, CSA Z259.12-16



JS-3015-1

Outdoor Climb Fall Protection D-Ring

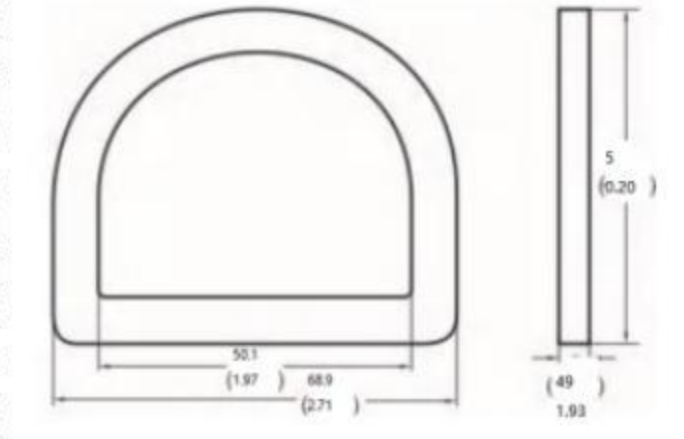
- Forged steel, Heat treated
 100% Proof loaded to 3600lbs/16kN
 • Min. Breaking load: 5000lbs/23kN
 • Net weight: 114g
 • Meets or Exceeds: ANSI Z359.12-19, CSA Z259.12-16



JS-3019

Full body harness accessories D-Ring

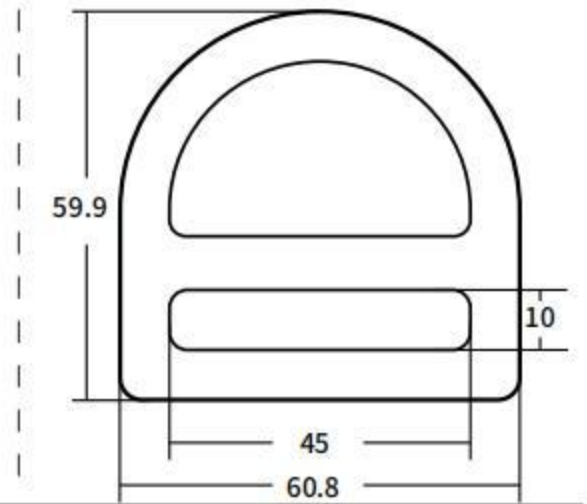
- Sheet steel, Heat treated
 100% Proof loaded to 3600lbs/16kN
 • Min. Breaking load: 5000lbs/23kN
 • Net weight: 44g
 • Meets or Exceeds: ANSI Z359.12-19, CSA Z259.12-16



JS-3027

Outdoor Climb Fall Protection D-Ring

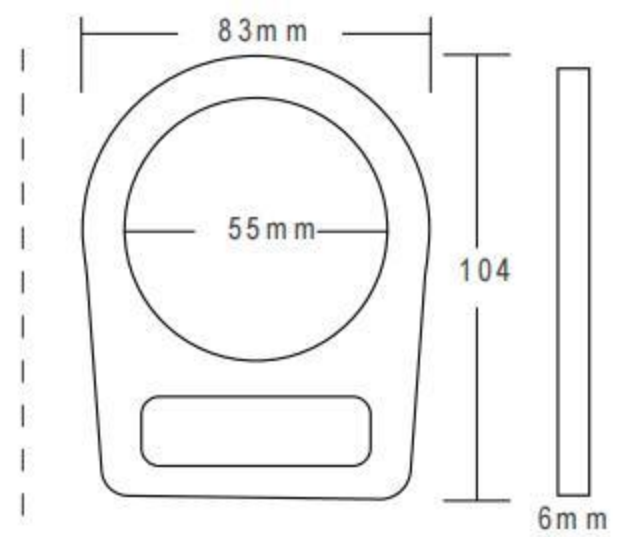
- Sheet steel, Heat treated
 100% Proof loaded to 3600lbs/16kN
 • Min. Breaking load: 23kN
 • Net weight: 75g
 • Meets or Exceeds: ANSI Z359.12-19, CSA Z259.12-16



JS-3031

Outdoor Climb Fall Protection D-Ring

- Forged steel, Heat treated
 100% Proof loaded to 3600lbs/16kN
 • Min. Breaking load: 5000lbs/40kN
 • Net weight: 123g
 • Meets or Exceeds: ANSI Z359.12-19, CSA Z259.12-16



D BUCKLE

巴扣

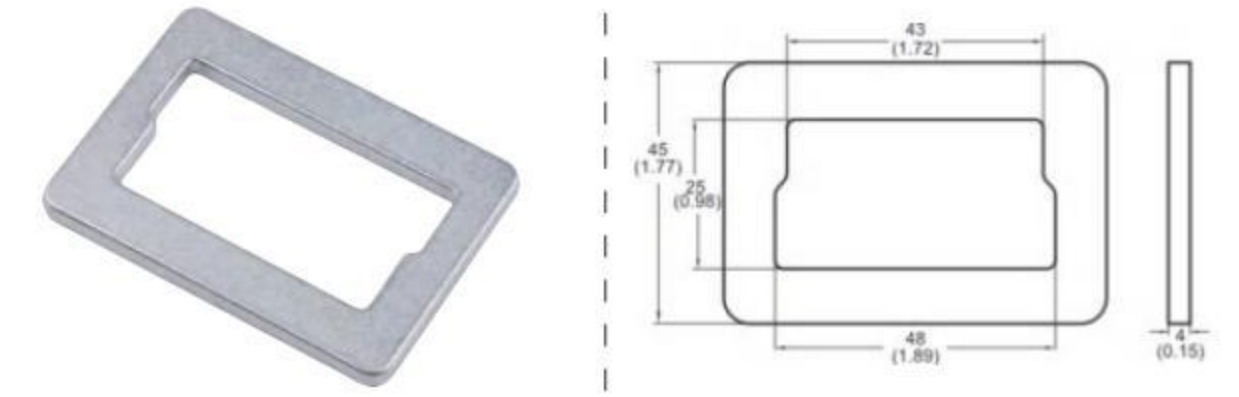


JS-4001

Safety Buckle For Safety Belt/Climbing/
Outdoor Activities

Sheet steel, Heat treated

- Min. Breaking load: 4000lbs/18kN
- Net weight: 51.4g
- Meets or Exceeds: ANSI Z359.12-19, CSA Z259.12-16

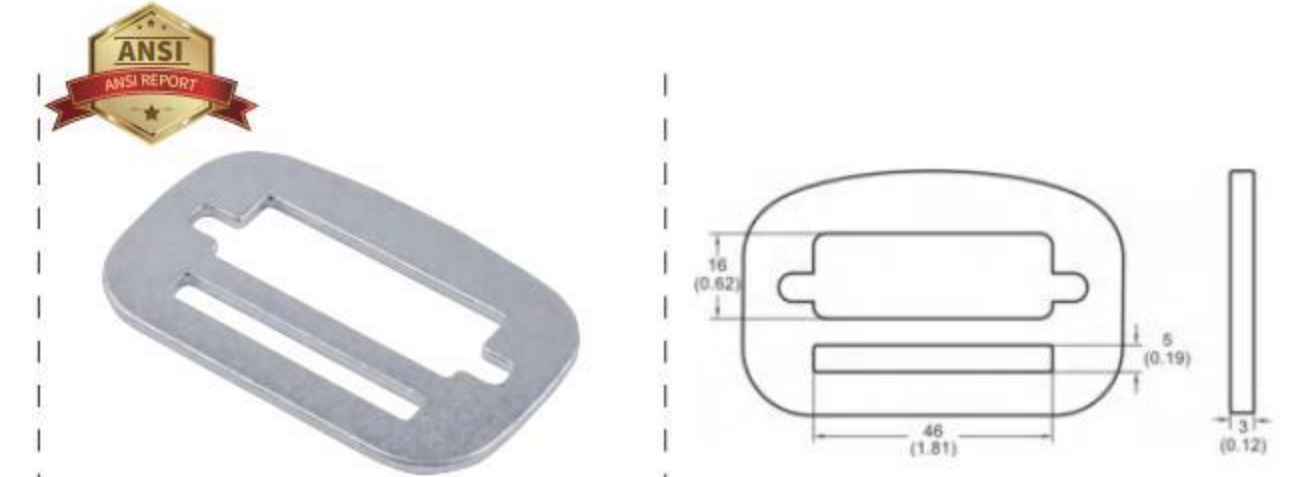


JS-4003

Safety Buckle For Safety Belt/Climbing/
Outdoor Activities

Sheet steel, Heat treated

- Min. Breaking load: 4000lbs/18kN
- Net weight: 49.8g
- Meets or Exceeds: ANSI Z359.12-19, CSA Z259.12-16

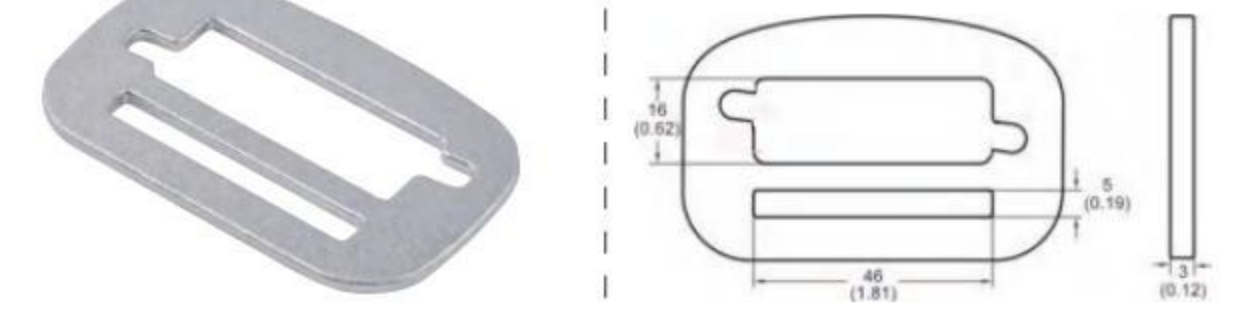


JS-4003-1

Safety Buckle For Safety Belt/Climbing/
Outdoor Activities

Sheet steel, Heat treated

- Min. Breaking load: 4000lbs/18kN
- Net weight: 50g
- Meets or Exceeds: ANSI Z359.12-19, CSA Z259.12-16

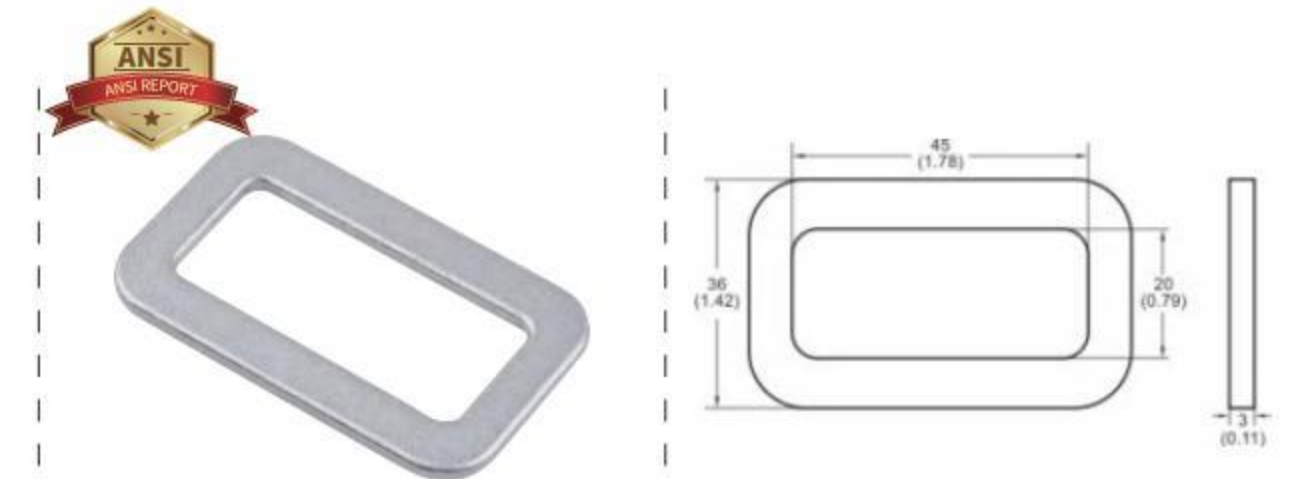


JS-4004

Safety Buckle For Safety Belt/Climbing/
Outdoor Activities

Sheet steel, Heat treated

- Min. Breaking load: 4000lbs/18kN
- Net weight: 27g
- Meets or Exceeds: ANSI Z359.12-19, CSA Z259.12-16

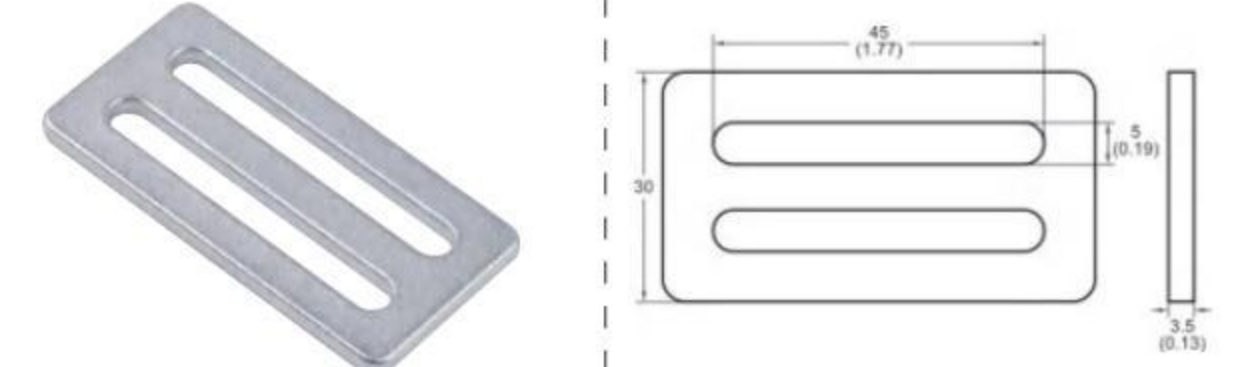


JS-4007

Safety Buckle For Safety Belt/Climbing/
Outdoor Activities

Sheet steel, Heat treated

- Min. Breaking load: 4000lbs/18kN
- Net weight: 35g
- Meets or Exceeds: ANSI Z359.12-19, CSA Z259.12-16

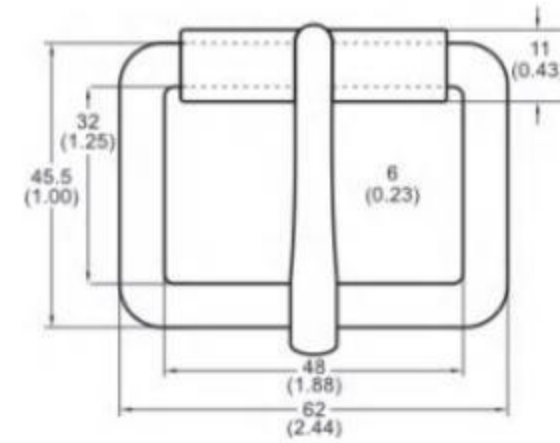


JS-4010-1

Buckle For Safety Belt /Full Body Harness Accessories

Sheet steel,Heat treated

- Min. Breaking load: 4000lbs/18kN
- Net weight: 81.7g
- Meets or Exceeds: ANSI Z359.12-19, CSA Z259.12-16

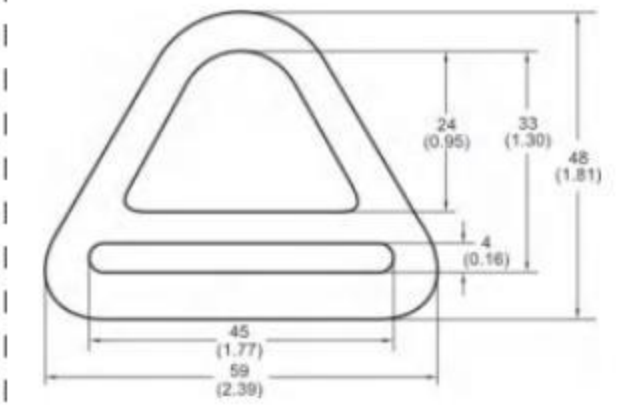


JS-4017

Buckle For Safety Belt /Full Body Harness Accessories

Forged steel,Heat treated

- Min. Breaking load: 4000lbs/18kN
- Net weight: 51.8g
- Meets or Exceeds: ANSI Z359.12-19, CSA Z259.12-16

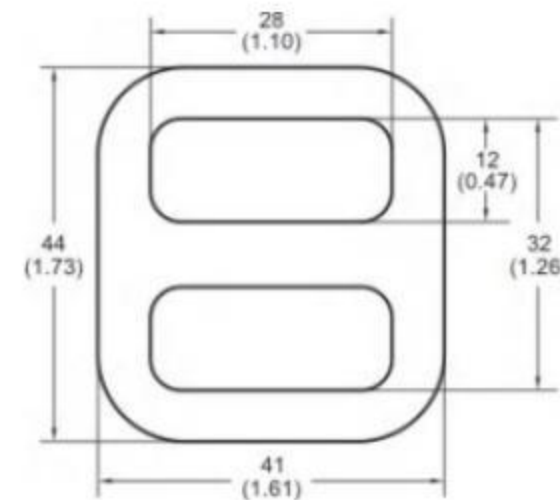


JS-4012

Buckle For Safety Belt /Full Body Harness Accessories

Forged steel,Heat treated

- Min. Breaking load: 4000lbs/18kN
- Net weight: 46g
- Meets or Exceeds: ANSI Z359.12-19, CSA Z259.12-16

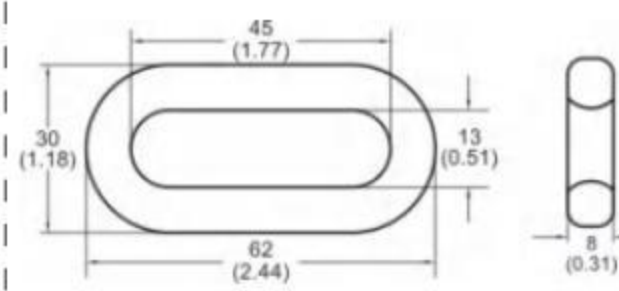


JS-4019

Buckle For Safety Belt /Full Body Harness Accessories

Forged steel,Heat treated

- Min. Breaking load: 4000lbs/18kN
- Net weight: 51g
- Meets or Exceeds: ANSI Z359.12-19, CSA Z259.12-16

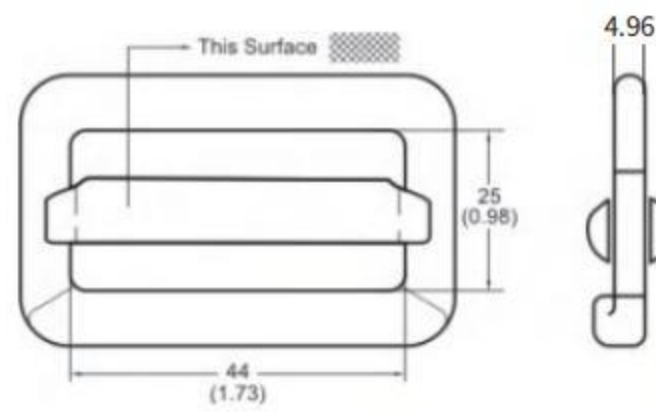


JS-4014

Buckle For Safety Belt /Full Body Harness Accessories

Forged steel,Heat treated

- Min. Breaking load: 4000lbs/18kN
- Net weight: 95g
- Meets or Exceeds: ANSI Z359.12-19, CSA Z259.12-16

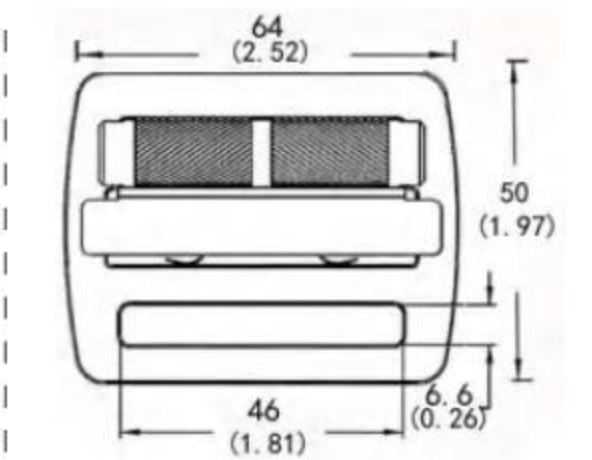


JS-4020

Buckle For Safety Belt /Full Body Harness Accessories

Sheet steel,Heat treated

- Min. Breaking load: 4000lbs/18kN
- Net weight: 93.5g
- Meets or Exceeds: ANSI Z359.12-19, CSA Z259.12-16

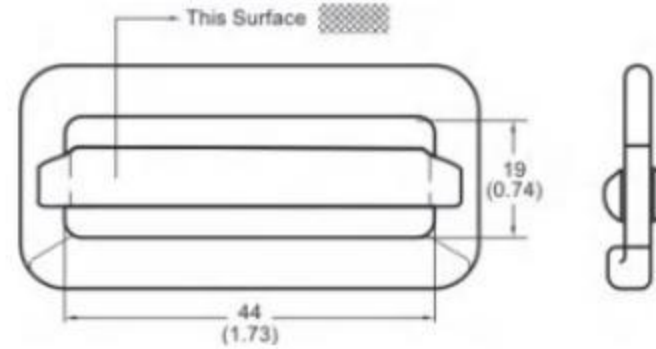


JS-4015

Buckle For Safety Belt /Full Body Harness Accessories

Forged steel,Heat treated

- Min. Breaking load: 4000lbs/18kN
- Net weight: 92g
- Meets or Exceeds: ANSI Z359.12-19, CSA Z259.12-16

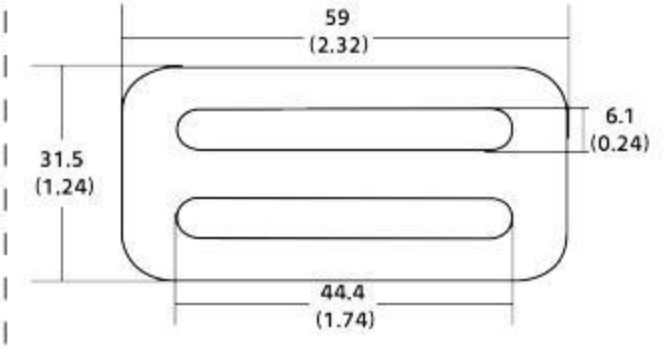


JS-4021

Buckle For Safety Belt /Full Body Harness Accessories

Sheet steel,Heat treated

- Min. Breaking load: 4000lbs/18kN
- Net weight: 30.1g
- Meets or Exceeds: ANSI Z359.12-19, CSA Z259.12-16

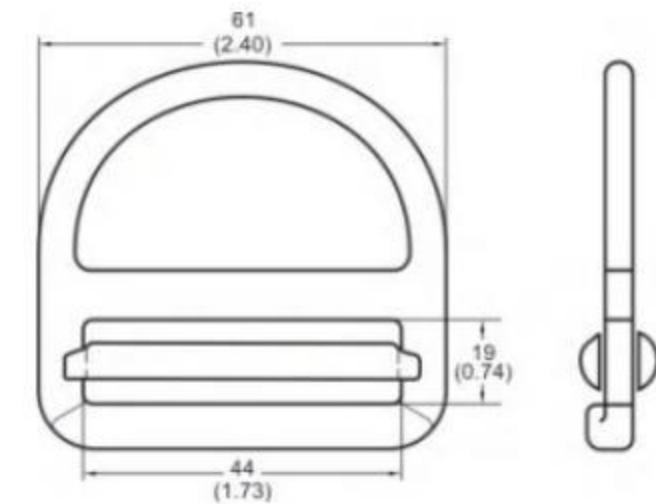


JS-4016

Buckle For Safety Belt /Full Body Harness Accessories /Industrial Working Protection

Forged steel,Heat treated

- Min. Breaking load: 4000lbs/18kN
- Net weight: 116.2g
- Meets or Exceeds: ANSI Z359.12-19, CSA Z259.12-16

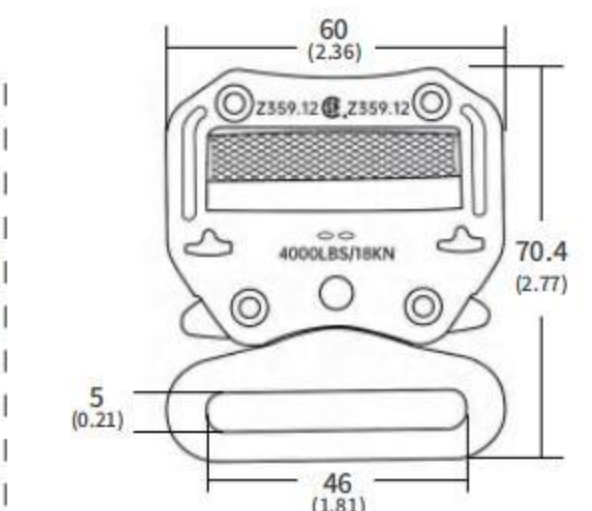


JS-4026-1

Black Color Quick Release Buckle For Fall Protection / Bags /Luggages

Sheet steel,Heat treated

- Min. Breaking load: 18kN/9kN
- Net weight: 124.7g
- Meets or Exceeds: ANSI Z359.12-19, CSA Z259.12-16



JS-4028

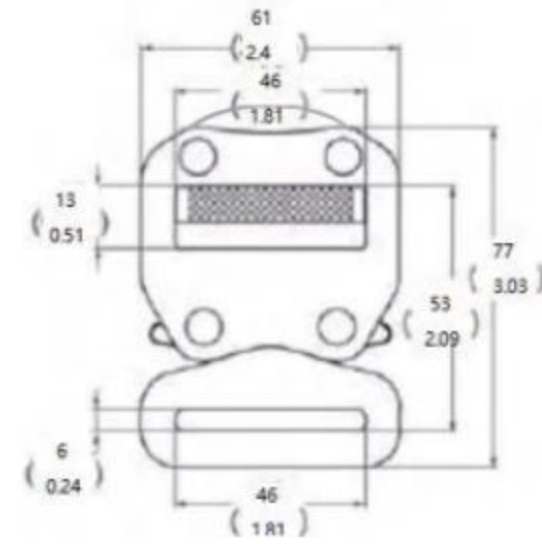
Black Color Quick Release Buckle For Fall Protection / Bags /Luggages

Sheet steel,Heat treated

• Min. Breaking load:

• Net weight: 132.3g

• Meets or Exceeds: ANSI Z359.12-19, CSA Z259.12-16



JS-4033

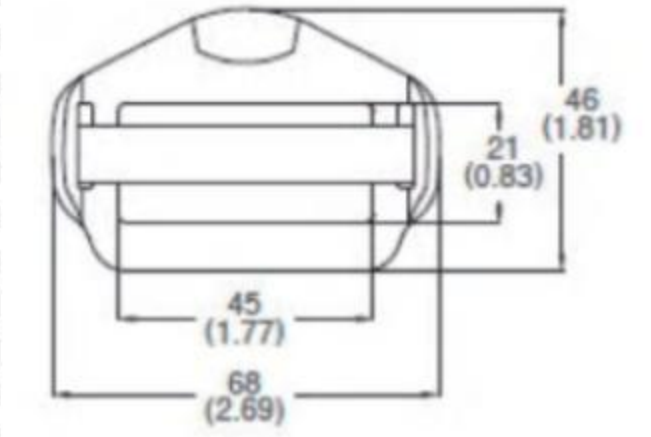
Quick Release Buckle For Fall Protection / Bags /Luggages

Sheet steel,Heat treated

• Min. Breaking load: 4000lbs/18kN

• Net weight: 47g

• Meets or Exceeds: ANSI Z359.12-19, CSA Z259.12-16



JS-4029

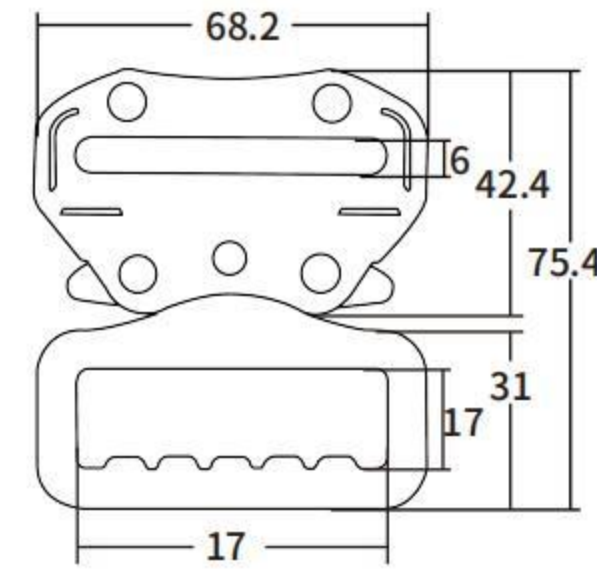
Black Color Quick Release Buckle For Fall Protection / Bags /Luggages

Sheet steel,Heat treated

• Min. Breaking load:

• Net weight: 115g+32g

• Meets or Exceeds: ANSI Z359.12-19, CSA Z259.12-16



JS-4034

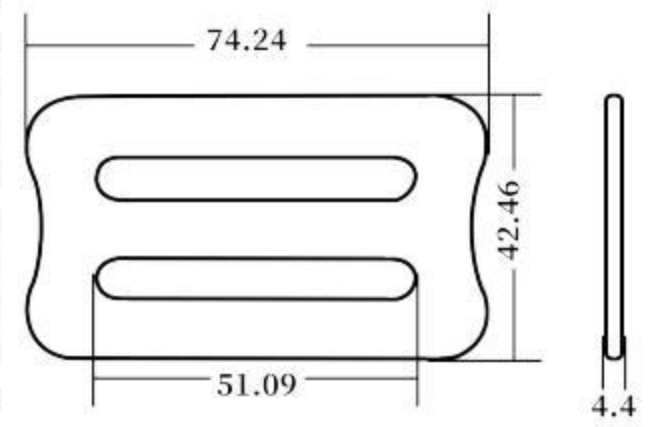
Quick Release Buckle For Fall Protection / Bags /Luggages

Sheet steel,Heat treated

• Min. Breaking load: 5000lbs/23kN

• Net weight: 81g

• Meets or Exceeds: ANSI Z359.12-19, CSA Z259.12-16



JS-4029-1

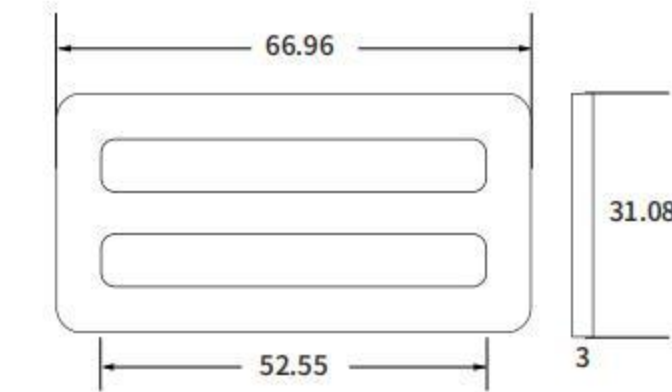
Black Color Quick Release Buckle For Fall Protection / Bags /Luggages

Sheet steel,Heat treated

• Min. Breaking load: 4000lbs/18kN

• Net weight: 32g

• Meets or Exceeds: ANSI Z359.12-19, CSA Z259.12-16



JS-4035

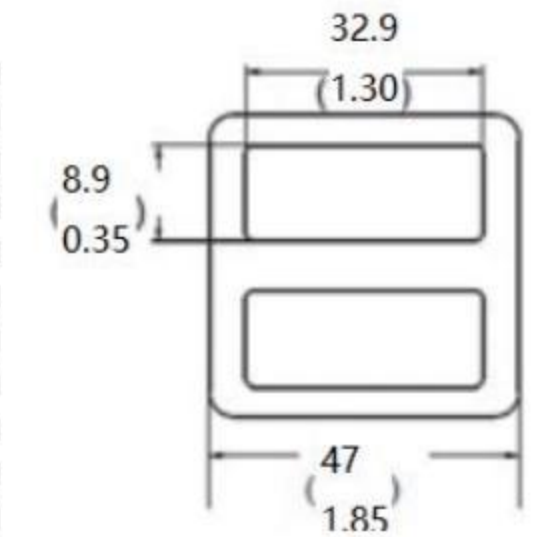
Quick release buckle for fall protection as well as bags and luggages

Sheet steel,Heat treated

• Min. Breaking load: 4000lbs/18kN

• Net weight: 31g

• Meets or Exceeds: ANSI Z359.12-19, CSA Z259.12-16



JS-4030

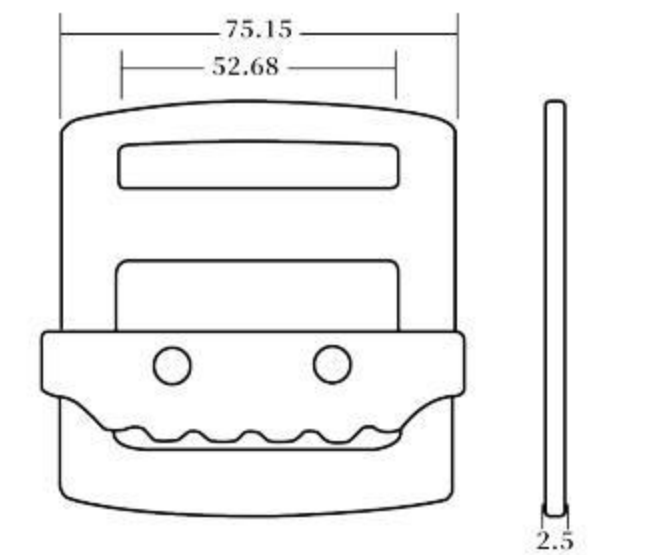
Nickle Plated / High Quality Customized Buckle

Sheet steel,Heat treated

• Min. Breaking load: 4000lbs/18kN

• Net weight: 150g

• Meets or Exceeds: ANSI Z359.12-19, CSA Z259.12-16



JS-4036

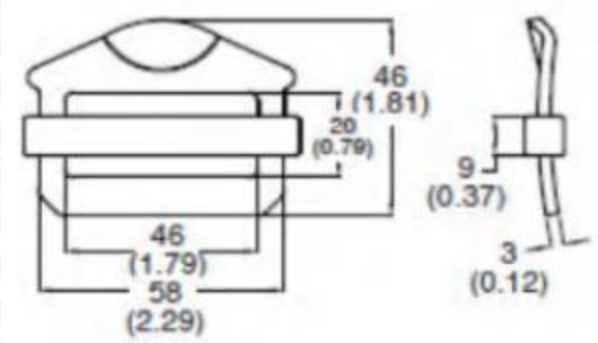
Quick Release Buckle For Fall Protection / Bags /Luggages

Sheet steel,Heat treated

• Min. Breaking load: 4000lbs/18kN

• Net weight: 50g

• Meets or Exceeds: ANSI Z359.12-19, CSA Z259.12-16



JS-4031

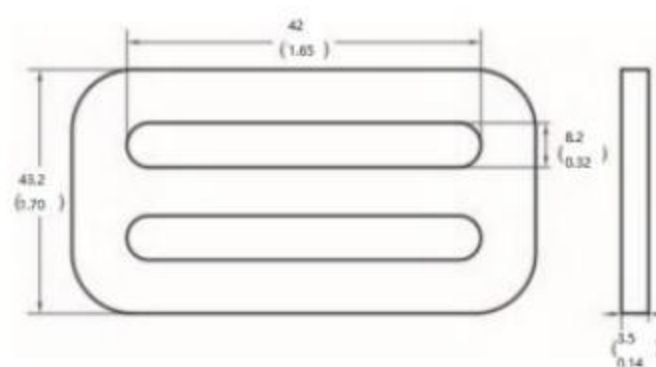
Quick Release Buckle For Fall Protection / Bags /Luggages

Sheet steel,Heat treated

• Min. Breaking load: 4000lbs/18kN

• Net weight: 44g

• Meets or Exceeds: ANSI Z359.12-19, CSA Z259.12-16



JS-4045-1

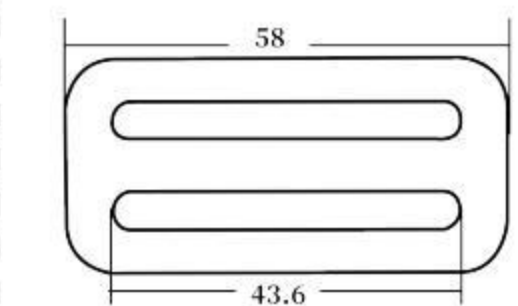
Quick Release Buckle For Fall Protection / Bags /Luggages

• Material: A7075

• Min. Breaking load: 9kN

• Net weight:

• Color: Any Color (Can be customized)

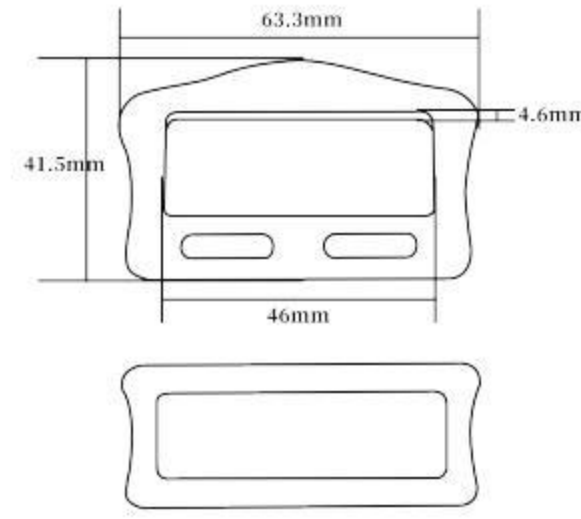


JS-4048/4049

Quick Release Buckle For Fall Protection / Bags /Luggages

Sheet steel,Heat treated

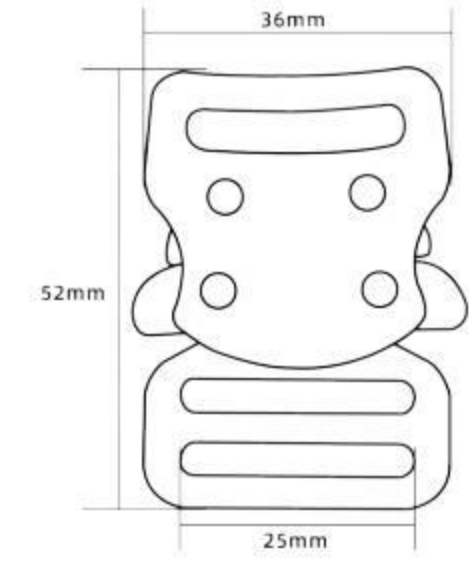
- Min. Breaking load: 18kN
- Net weight: 36.3g 22g
- Meets or Exceeds: ANSI Z359.12-19, CSAZ259.12-16



JS-4053

Quick Release Buckle For Fall Protection / Bags /Luggages

- Material: Sheet aluminum
- Net weight: 26.9g

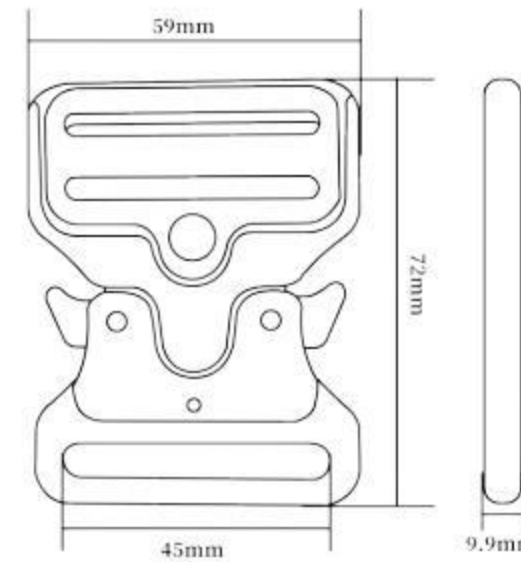


JS-4050

Quick Release Buckle For Fall Protection / Bags /Luggages

Zinc alloy

- Min. Breaking load: 4kN
- Net weight: 161.5g

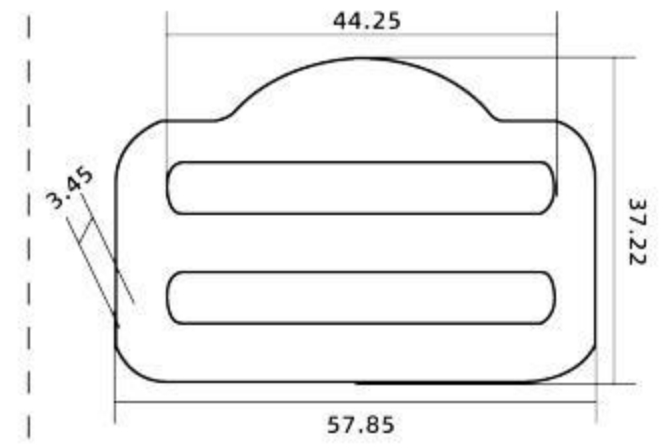


JS-4055

Quick Release Buckle For Fall Protection / Bags /Luggages

Sheet steel,Heat treated

- Min. Breaking load: 4000lbs/18kN
- Net weight: 37.2g
- Meets or Exceeds: ANSI Z359.12-19, CSA Z259.12-16

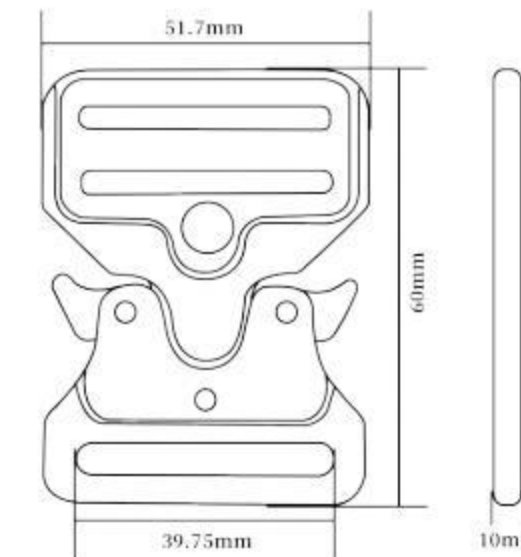


JS-4050-1

Quick Release Buckle For Fall Protection / Bags /Luggages

Zinc alloy

- Min. Breaking load: 4kN
- Net weight: 105.11g

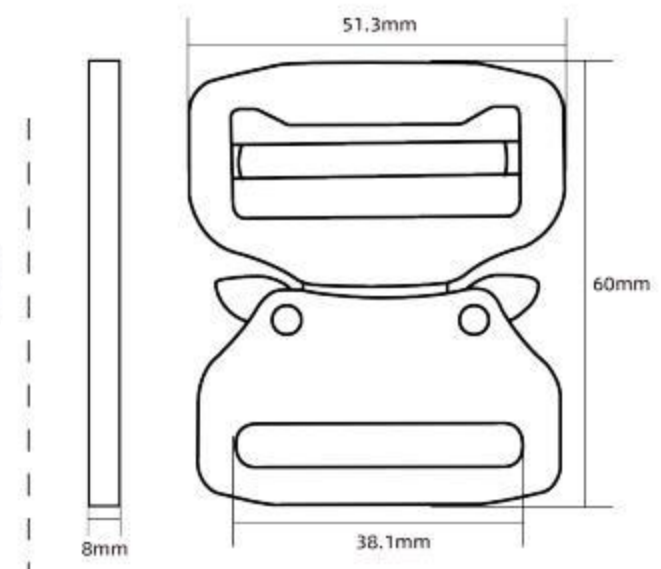


JS-4056

Quick Release Buckle For Fall Protection / Bags /Luggages

Zinc alloy

- Min. Breaking load: 4kN
- Net weight: 81.8g

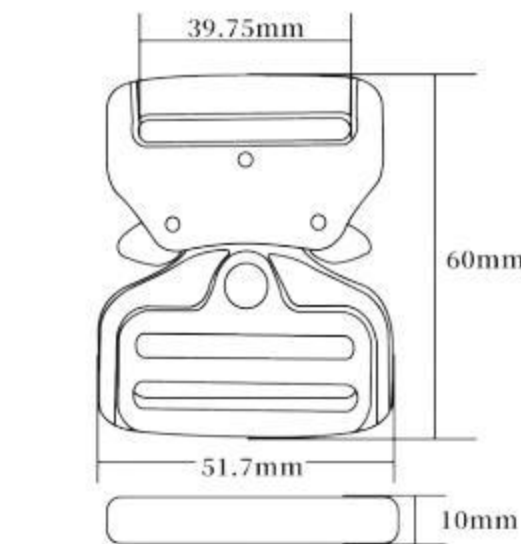


JS-4051

Quick Release Buckle For Fall Protection / Bags /Luggages

Zinc alloy

- Min. Breaking load: 4kN
- Net weight: 99.9g

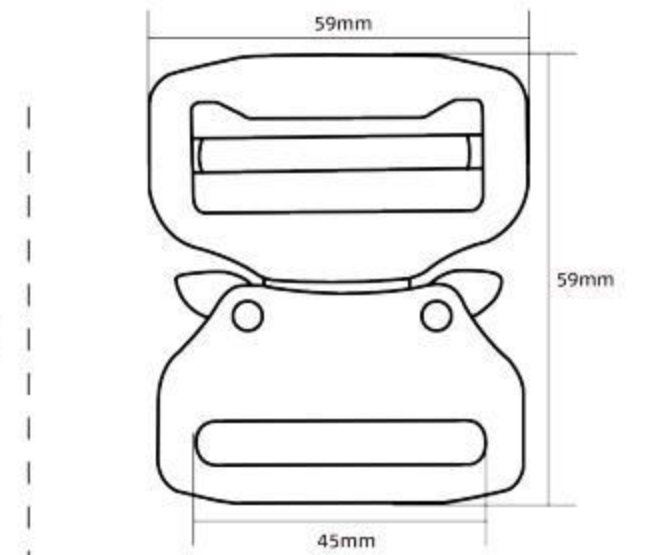


JS-4056-1

Quick Release Buckle For Fall Protection / Bags /Luggages

Zinc alloy

- Min. Breaking load: 4kN
- Net weight: 81.8g

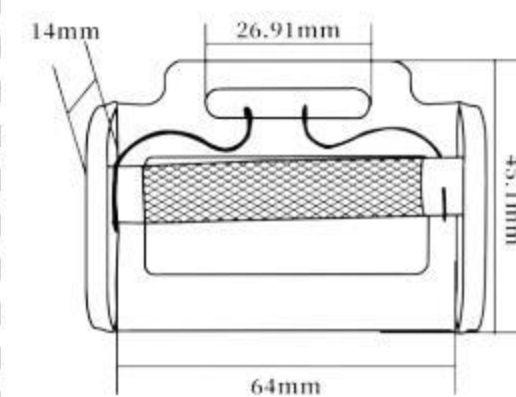


JS-4052

Quick Release Buckle For Fall Protection / Bags /Luggages

Sheet steel,Heat treated

- Min. Breaking load: 4000lbs/18kN
- Net weight: 88g
- Meets or Exceeds: ANSI Z359.12-19, CSA Z259.12-16

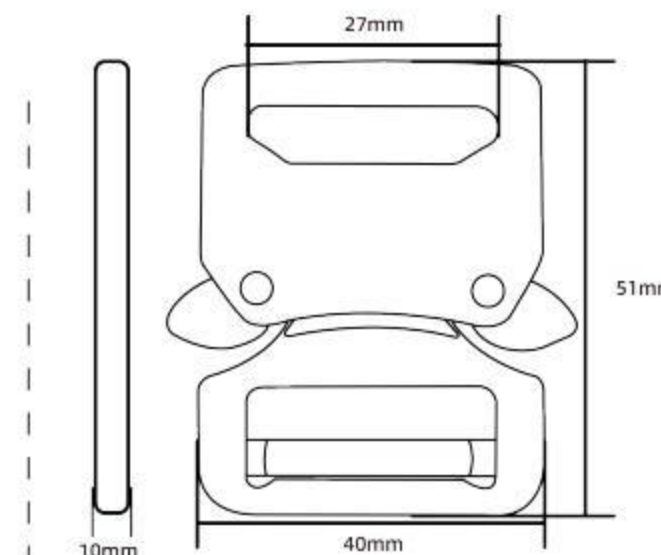


JS-4057

Quick Release Buckle For Fall Protection / Bags /Luggages

Zinc alloy

- Min. Breaking load: 4kN
- Net weight: 77.1g

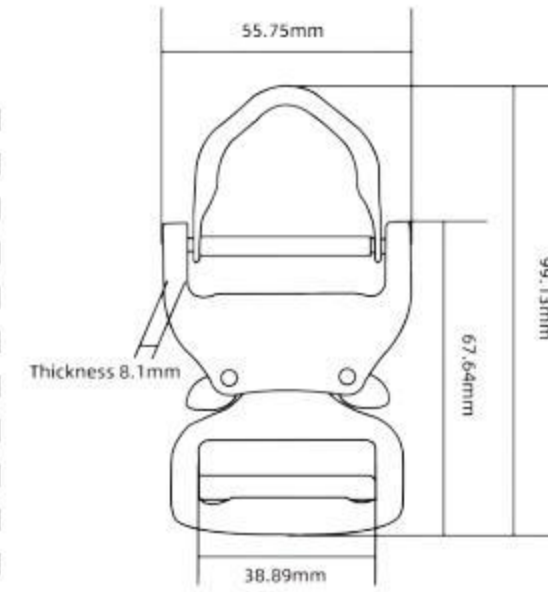


JS-4060

Quick Release Buckle For Fall Protection / Bags /Luggages

Zinc alloy

- Min. Breaking load: 4kN
- Net weight: 126.4g

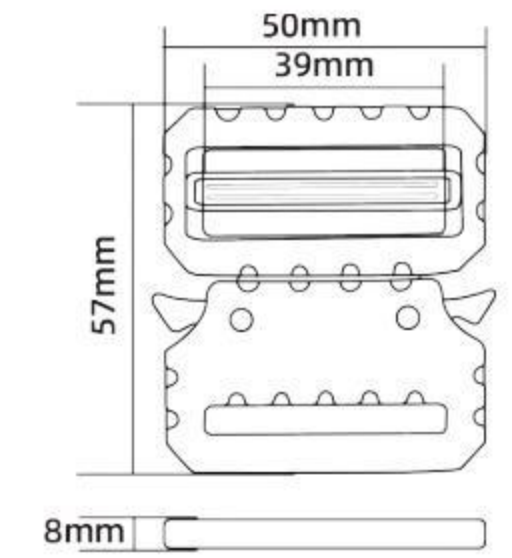


JS-4081

Quick Release Buckle For Fall Protection / Bags /Luggages

Zinc alloy

- Min. Breaking load: 4KN
- Net weight: 84g

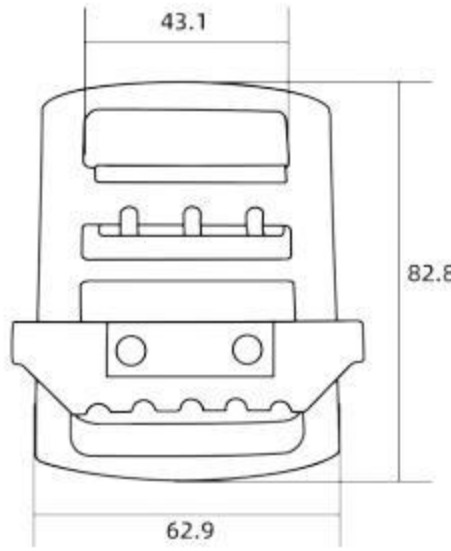


JS-4068

Quick Release Buckle For Fall Protection / Bags /Luggages

Sheet steel,Heat treated

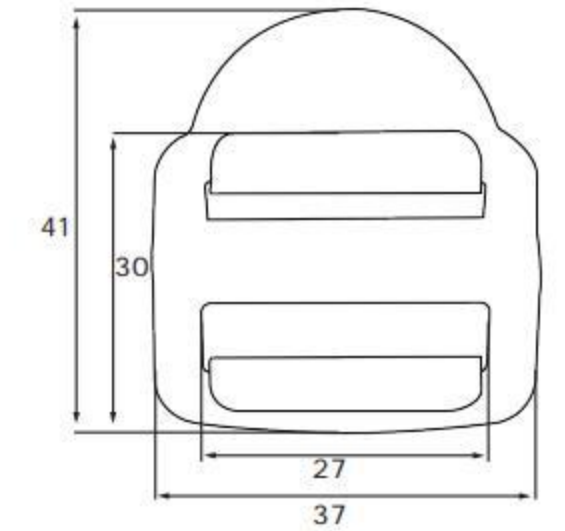
- Min. Breaking load: 4000lbs/18kN
- Net weight: 136g
- Meets or Exceeds: ANSIZ359.12-19、CSA Z259.12-16



JS-5001

Quick Release Buckle For Fall Protection / Bags /Luggages

- Min. Breaking load:
- Net weight: 23g

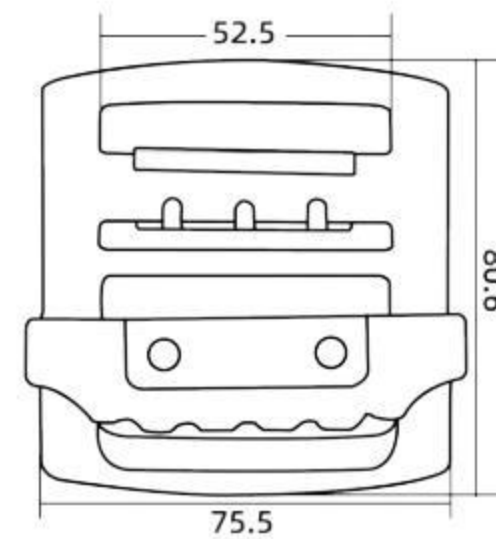


JS-4070

Quick Release Buckle For Fall Protection / Bags /Luggages

Sheet steel,Heat treated

- Min. Breaking load: 4000lbs/18kN
- Net weight: 149g
- Meets or Exceeds: ANSIZ359.12-19、CSA Z259.12-16

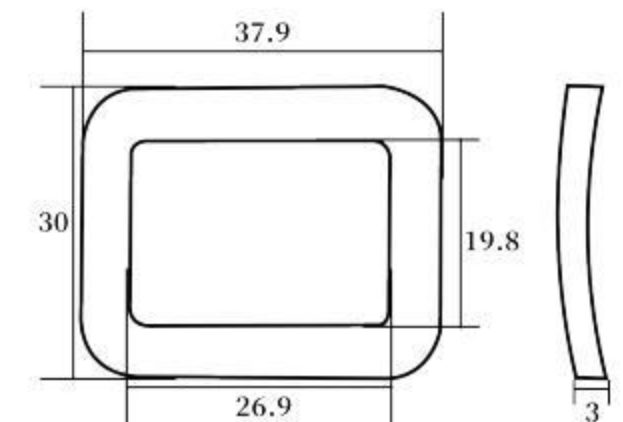


JS-5002

Quick Release Buckle For Fall Protection / Bags /Luggages

Sheet steel,Heat treated

- Min. Breaking load: 90kg
- Net weight: 13g

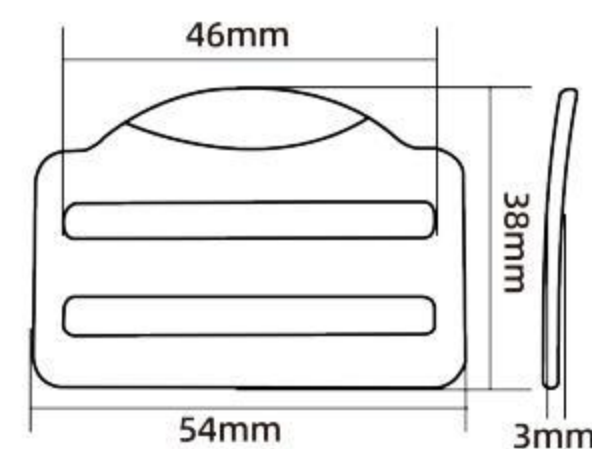


JS-4072

Quick Release Buckle For Fall Protection / Bags /Luggages

Sheet steel,Heat treated

- Min. Breaking load: 4000lbs/18kN
- Net weight: 31.25g
- Meets or Exceeds: ANSIZ359.12-19、CSA Z259.12-16

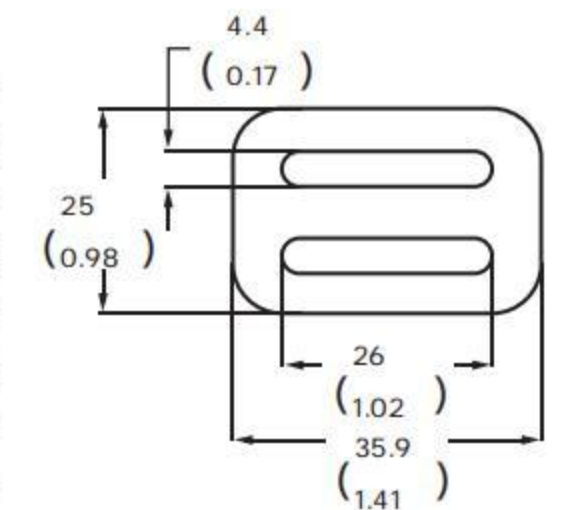


JS-5003

Quick Release Buckle For Fall Protection / Bags /Luggages

Sheet steel,Heat treated

- Min. Breaking load: 90kg
- Net weight: 11g

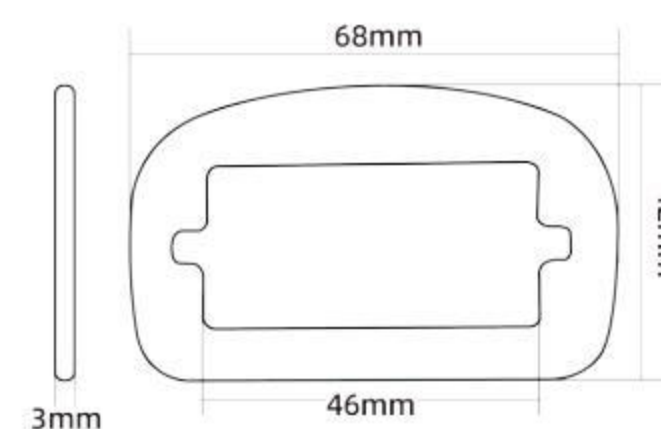


JS-4073

Quick Release Buckle For Fall Protection / Bags /Luggages

Sheet steel,Heat treated

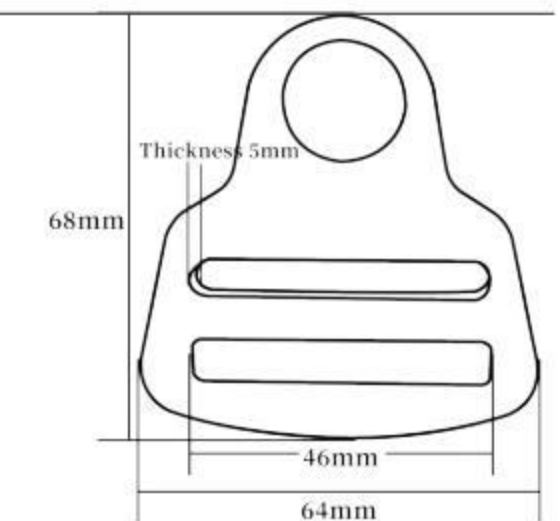
- Min. Breaking load: 4000lbs/18kN
- Net weight: 33.96g
- Meets or Exceeds: NSIZ359.12-19、CSA Z259.12-16



JS-5015

Quick Release Buckle For Fall Protection / Bags /Luggages

- Min. Breaking load: 4000lbs/18kN
- Net weight: 77g
- Meets or Exceeds: ANSIZ359.12-19、CSA Z259.12-16

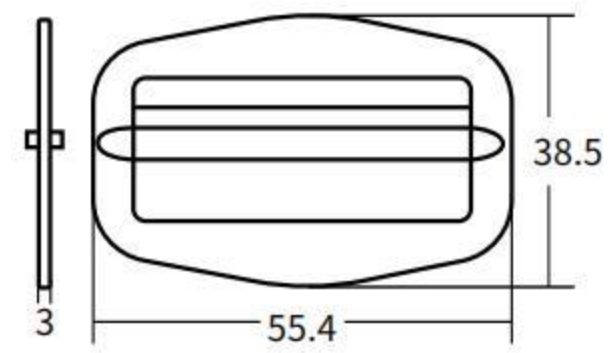


JS-6010

Quick Release Buckle For Fall Protection / Bags / Luggages

Sheet steel

- Min. Breaking load:
- Net weight: 37g

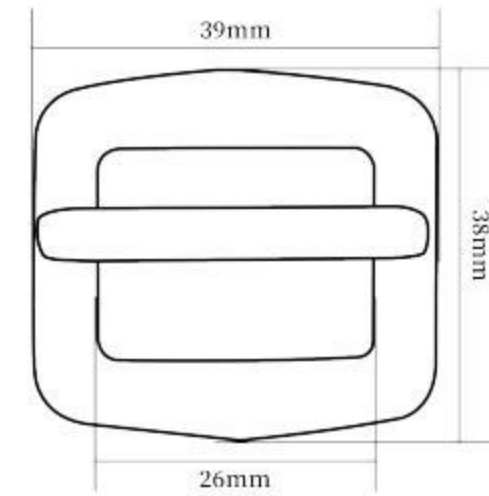


JS-6012

Quick Release Buckle For Fall Protection / Bags / Luggages

Sheet steel

- Min. Breaking load:
- Net weight: 27g

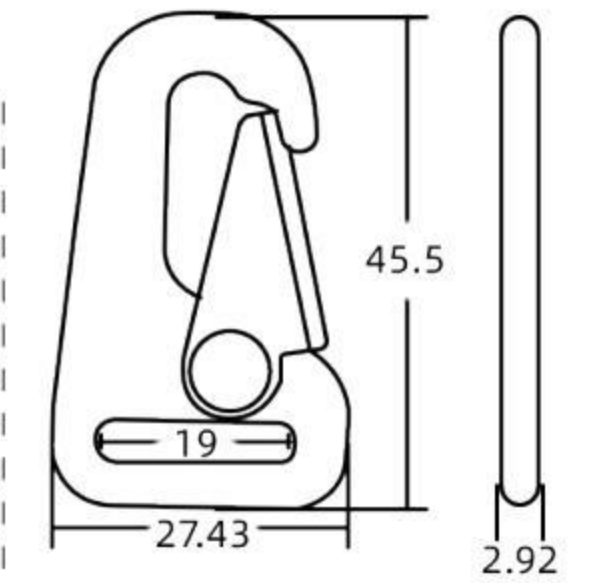


JS-6016

Small Steel Hook

Sheet steel

- Min. Breaking load: 7kg
- Net weight: 18.2g

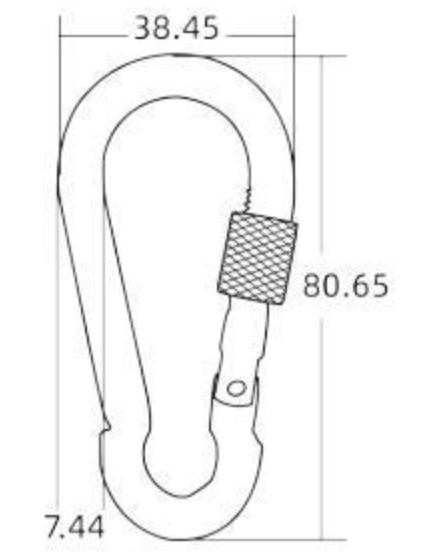


JS-6021

Safety Steel Carabiner For Outdoor Activity

Cold formed steel

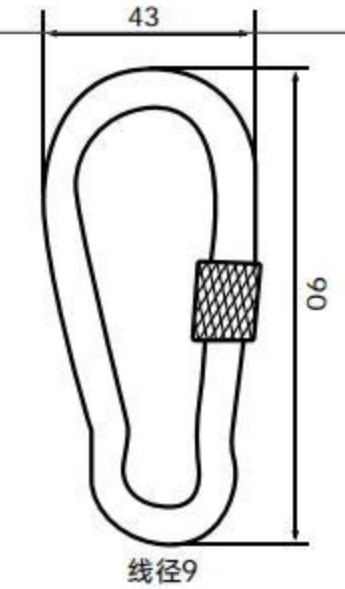
- Min. Breaking load: 100kg
- Net weight: 60g



JS-6021-1

Safety Steel Carabiner For Outdoor Activity

- Material: Sheet steel, Heat treated
- Min. Breaking load:
- Net weight: 86g



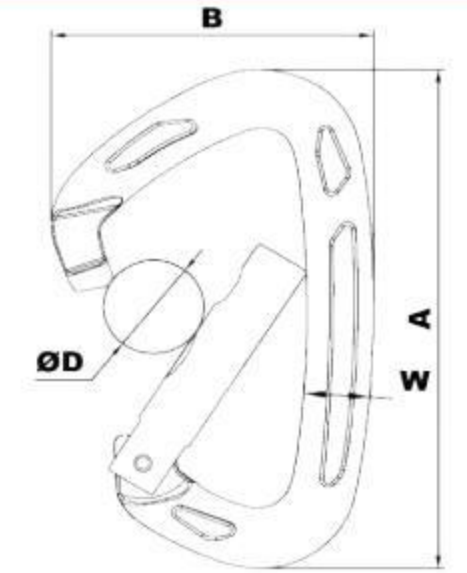
JS-A1272

High Strength Aluminium Alloy Carabiner

Featured

- Material: A7075
- Min. Breaking load: 2200kg
- Net weight: 48.5g
- Color: Any Color (Can be customized)

A	B	D	d	W	
99.3	59.4	18.7	/	12.2	mm

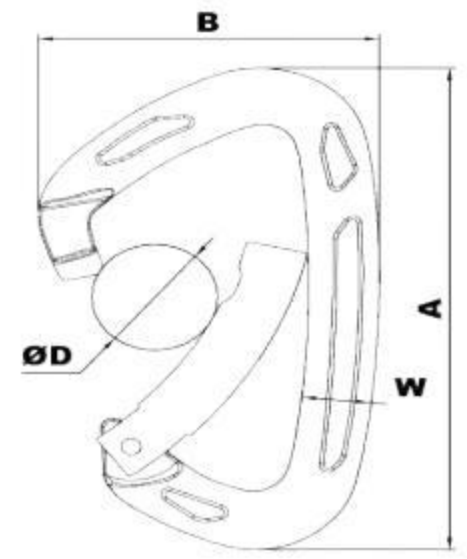


JS-A1272C

High Quality Aluminium Alloy Carabiner

- Material: A7075
- Min. Breaking load: 2200kg
- Net weight: 49g
- Color: Any Color (Can be customized)

A	B	D	d	W	
99.3	59.4	21	/	12.2	mm

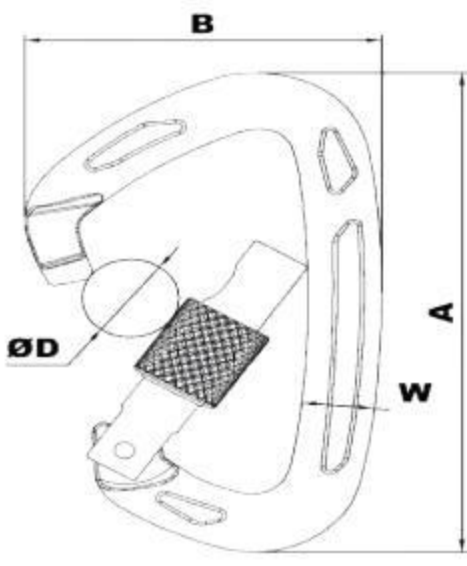


JS-A1272N

D Type Aluminum Self-Locking Carabiner

- Material: A7075
- Min. Breaking load: 2200kg
- Net weight: 52.8g
- Color: Any Color (Can be customized)

A	B	D	d	W	
99.3	59.4	16	/	12.2	mm

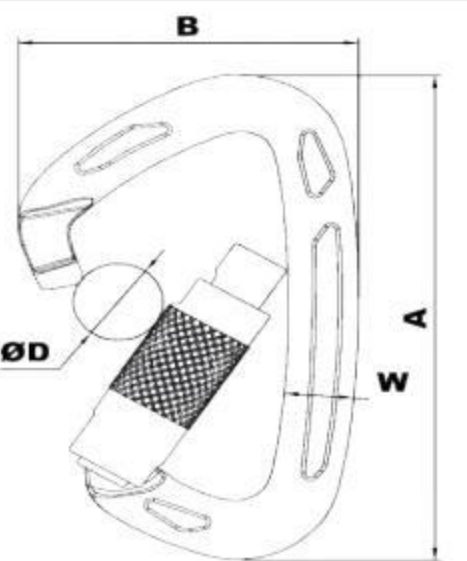


JS-A1272TN

D Type Aluminum Self-Locking Carabiner

- Material: A7075
- Min. Breaking load: 2200kg
- Net weight: 57.1g
- Color: Any Color (Can be customized)

A	B	D	d	W	
99.3	59.4	16	/	12.2	mm

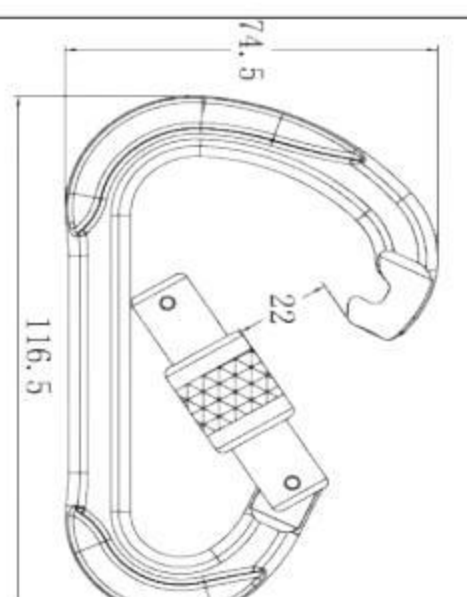


JS-A238N

D Shape Aluminum Nut Gate Locking Carabiner

- Material: A7075
- Min. Breaking load: 2400kg
- Net weight: 74g
- Color: Any Color (Can be customized)

A	B	D	d	W	
116.5	74.5	22	/	/	mm



E

ALUMINUM CARABINER

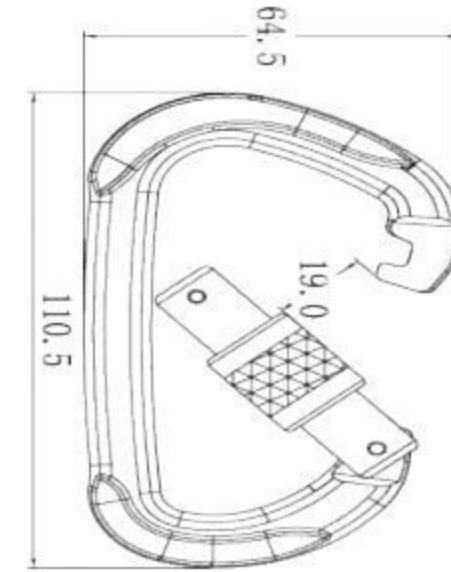
铝连接环

JS-A278N

High Quality Aluminium Alloy Carabiner

- Material: A7075
- Min. Breaking load: 2600kg
- Net weight: 82g
- Color: Any Color (Can be customized)

A	B	D	d	W	mm
110.5	64.5	19	/	/	

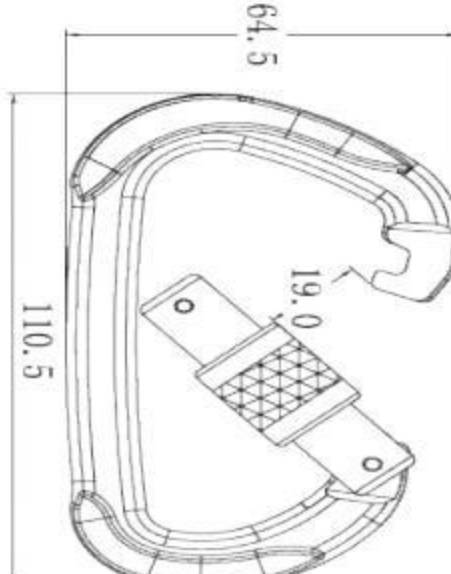


JS-A812N

High Quality Aluminium Alloy Carabiner

- Material: A7075
- Min. Breaking load: 2600kg
- Net weight: 63.3g
- Color: Any Color (Can be customized)

A	B	D	d	W	mm
98.6	58.5	18	/	/	

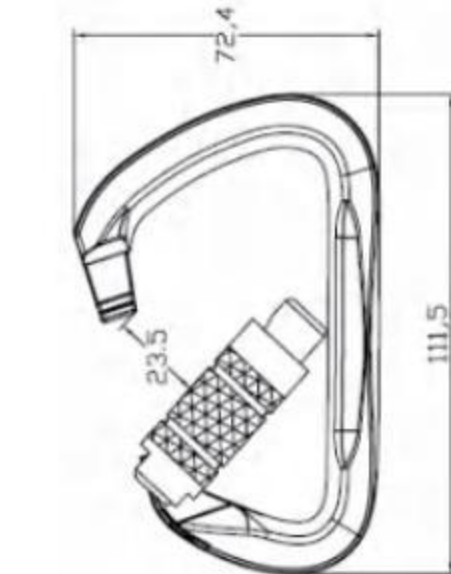


JS-A7505TN

25kN D Shape Aluminum Carabiner For Rock Climbing

- Material: A7075
- Min. Breaking load: 2500kg
- Net weight: 77g
- Color: Any Color (Can be customized)

A	B	D	d	W	mm
111	60.4	19	/	/	

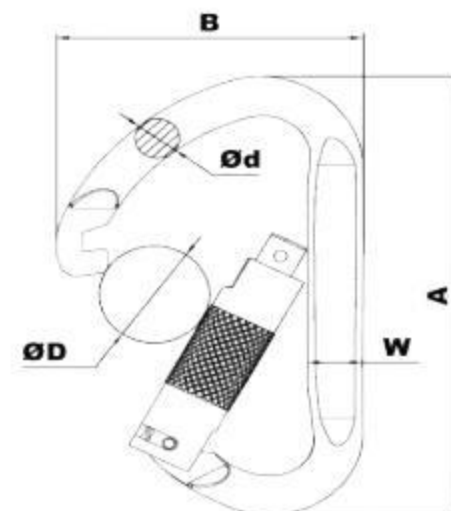


JS-A1230TN

Safety Keychain /Camping /Hiking Aluminum Carabiner

- Material: A7075
- Min. Breaking load: 1000kg
- Net weight: 50.7g
- Color: Any Color (Can be customized)

A	B	D	d	W	mm
100	61.5	22.5	9	11.2	

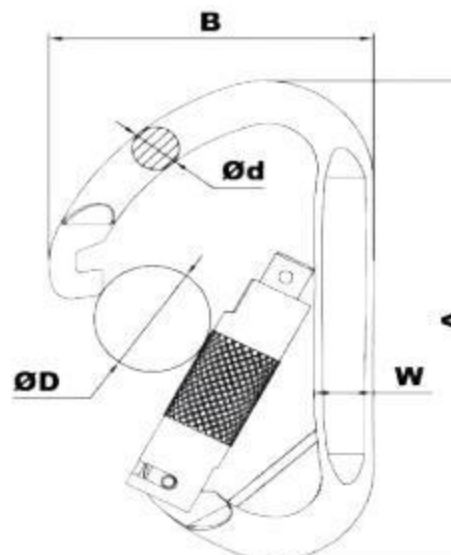


JS-A1230TN+D

New Designed Creative Climbing Aluminum Carabiner

- Material: A7075
- Min. Breaking load: 1000kg
- Net weight: 51.2g
- Color: Any Color (Can be customized)

A	B	D	d	W	mm
100	61.5	22.5	9	11.2	

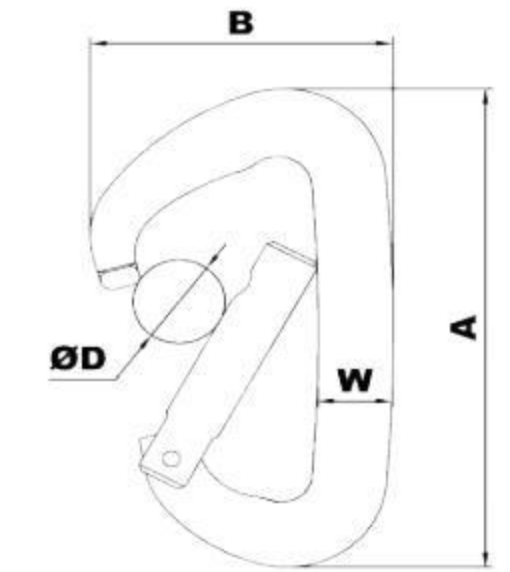


JS-A1301

Custom Outdoor Sport Aluminum Carabiner

- Material: A7075/6061
- Min. Breaking load: 1200kg/500kg
- Net weight: 23.8g
- Color: Any Color (Can be customized)

A	B	D	d	W	mm
81	46.6	13.8	/	11.5	

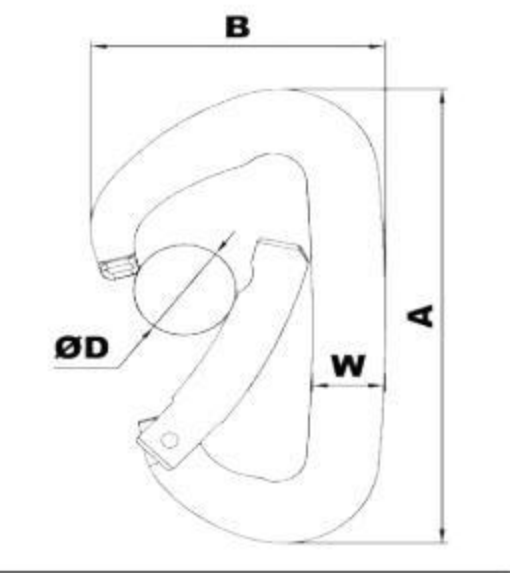


JS-A1301C

High Quality Aluminium Alloy Carabiner

- Material: A7075/6061
- Min. Breaking load: 1200kg/500kg
- Net weight: 23.8g
- Color: Any Color (Can be customized)

A	B	D	d	W	mm
81	46.6	16	/	11.5	

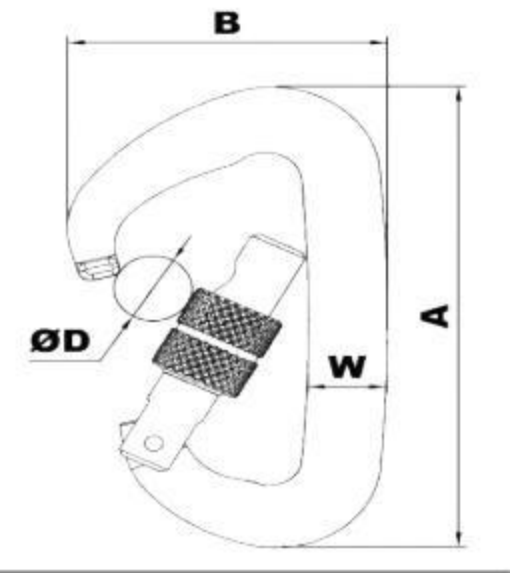


JS-A1301N

High Quality Aluminium Alloy Carabiner

- Material: A7075/6061
- Min. Breaking load: 1200kg/500kg
- Net weight: 24.8g
- Color: Any Color (Can be customized)

A	B	D	d	W	mm
81	46.6	11.5	/	11.5	

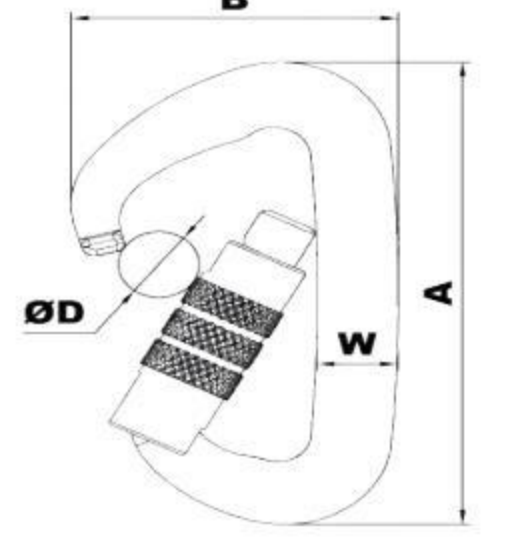


JS-A1301TN

High Strength Aluminum Carabiner

- Material: A7075/6061
- Min. Breaking load: 1200kg/500kg
- Net weight: 27g
- Color: Any Color (Can be customized)

A	B	D	d	W	mm
81	46.6	11.5	/	11.5	

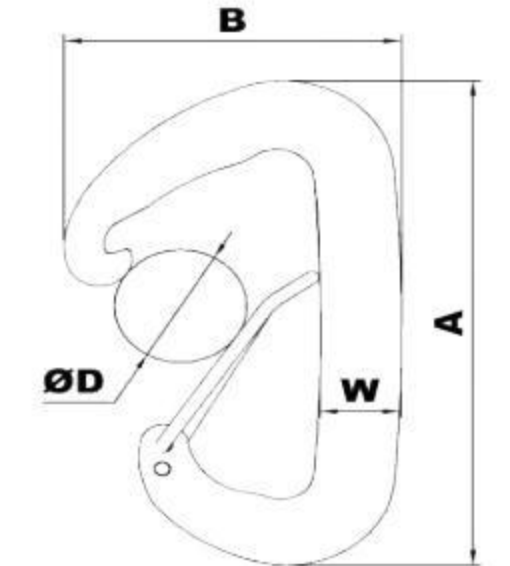


JS-A1301U

High Quality Aluminium Alloy Carabiner

- Material: A7075/6061
- Min. Breaking load: 1200kg/500kg
- Net weight: 21g
- Color: Any Color (Can be customized)

A	B	D	d	W	mm
81	48	18.8	/	11.5	



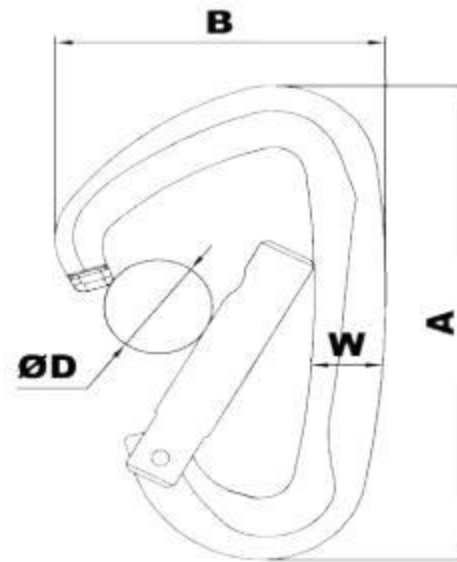
JS-A1303

High Quality Metal Aluminum Carabiner

- Material: A7075/6061
- Min. Breaking load: 1200kg/500kg
- Net weight: 25.2g
- Color: Any Color (Can be customized)

A	B	D	d	W
80	48.4	15.8	/	10.5

mm



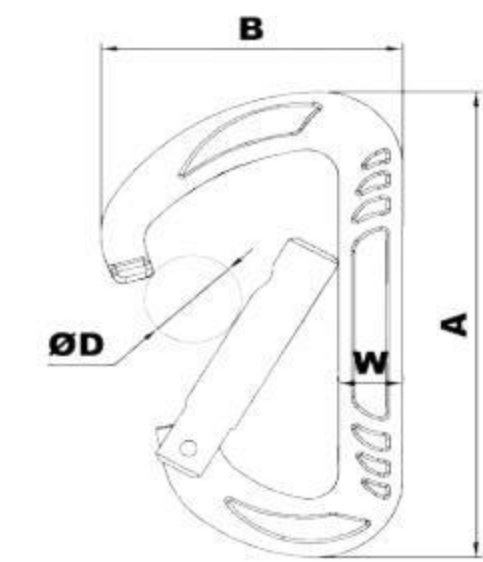
JS-A1304

High Quality Metal Aluminum Carabiner

- Material: A7075/6061
- Min. Breaking load: 1200kg/500kg
- Net weight: 27g
- Color: Any Color (Can be customized)

A	B	D	d	W
80	46.8	15	/	10

mm



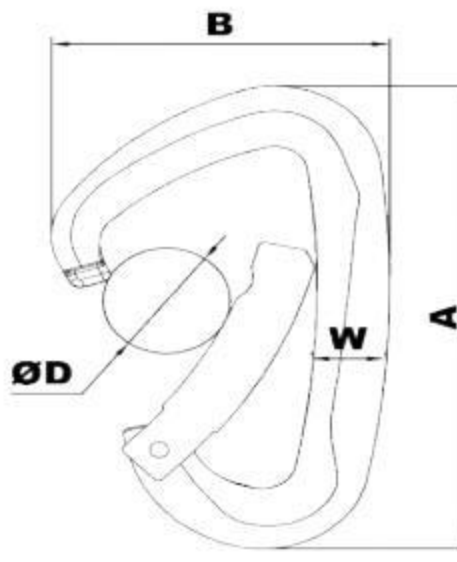
JS-A1303C

Most Welcomed Colorful Aluminum Carabiner

- Material: A7075/6061
- Min. Breaking load: 1200kg/500kg
- Net weight: 25.2g
- Color: Any Color (Can be customized)

A	B	D	d	W
80	48.4	17.8	/	10.5

mm



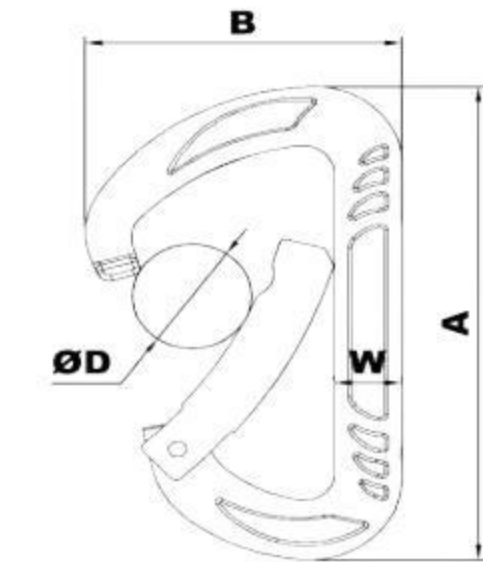
JS-A1304C

Aluminum Material For Custom D Shape Carabiner

- Material: A7075/6061
- Min. Breaking load: 1200kg/500kg
- Net weight: 27g
- Color: Any Color (Can be customized)

A	B	D	d	W
80	46.8	17.4	/	10

mm



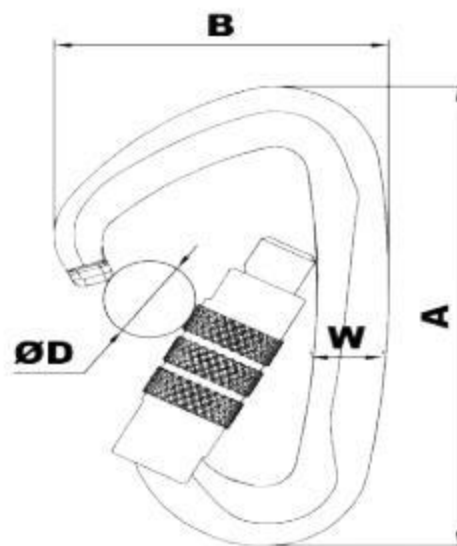
JS-A1303N

Newest Climbing Aluminum Carabiner

- Material: A7075/6061
- Min. Breaking load: 1200kg/500kg
- Net weight: 27.2g
- Color: Any Color (Can be customized)

A	B	D	d	W
80	48.4	13	/	10.5

mm



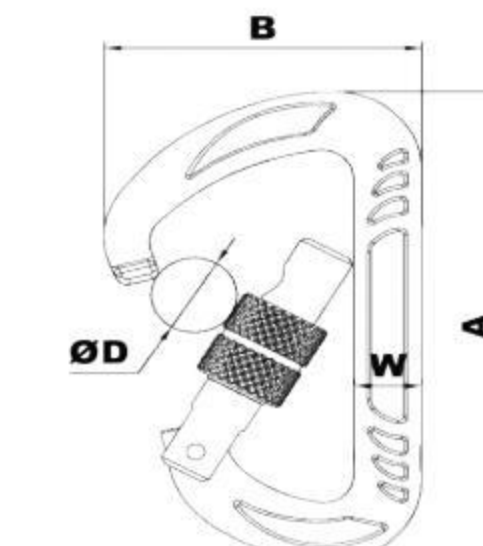
JS-A1304N

High Quality /Colorful Aluminum Alloy Locking Carabiner

- Material: A7075/6061
- Min. Breaking load: 1200kg/500kg
- Net weight: 28.1g
- Color: Any Color (Can be customized)

A	B	D	d	W
80	46.8	12.4	/	10

mm



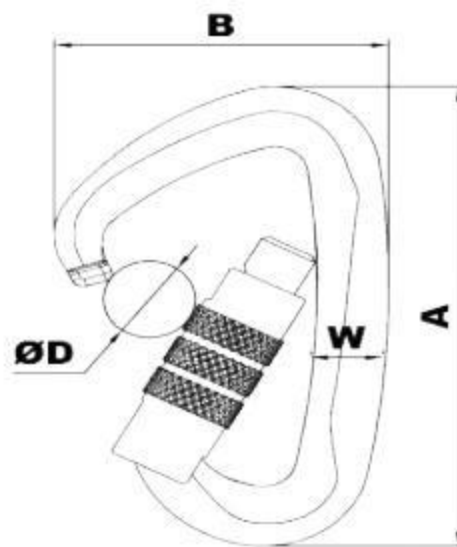
JS-A1303TN

Aluminum Material For Custom Round Shape Carabiner

- Material: A7075/6061
- Min. Breaking load: 1200kg/500kg
- Net weight: 29.5g
- Color: Any Color (Can be customized)

A	B	D	d	W
80	48.4	13	/	10.5

mm



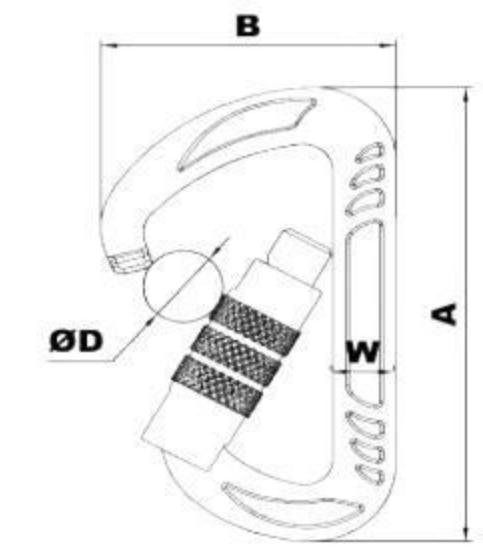
JS-A1304TN

12KN Camping Auto Locking Aviation Aluminum Climbing Carabiner

- Material: A7075/6061
- Min. Breaking load: 1200kg/500kg
- Net weight: 30.5g
- Color: Any Color (Can be customized)

A	B	D	d	W
80	46.8	12.4	/	10

mm



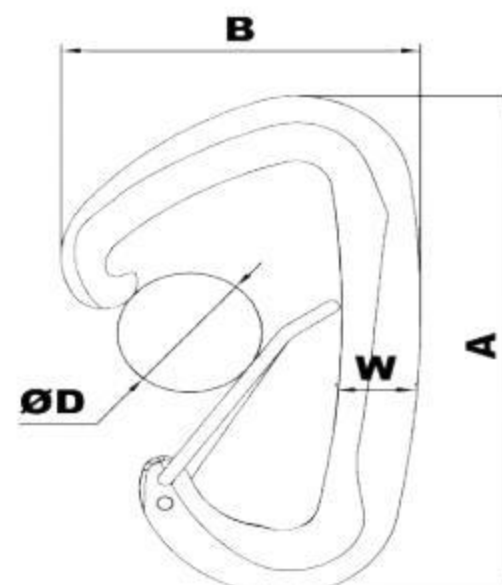
JS-A1303U

500KG high strength Aviation Aluminum D Shape Hammock Carabiner

- Material: A7075/6061
- Min. Breaking load: 1200kg/500kg
- Net weight: 22g
- Color: Any Color (Can be customized)

A	B	D	d	W
80	48.4	18.8	/	10.5

mm



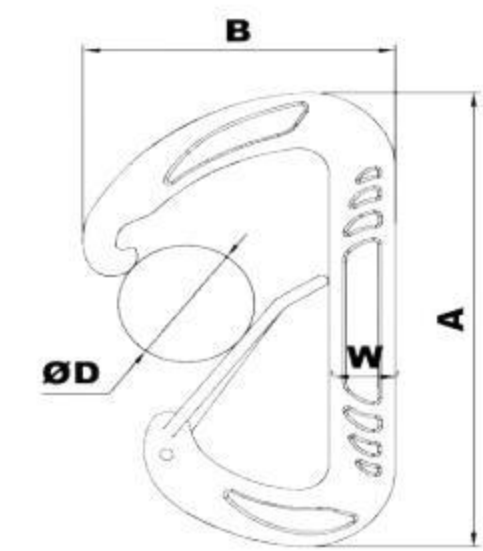
JS-A1304U

1200 KGS Loading Weight /High Strength Aviation Aluminum D Shape Hammock Carabiner

- Material: A7075/6061
- Min. Breaking load: 1200kg/500kg
- Net weight: 24.3g
- Color: Any Color (Can be customized)

A	B	D	d	W
80	47.2	20.3	/	10

mm



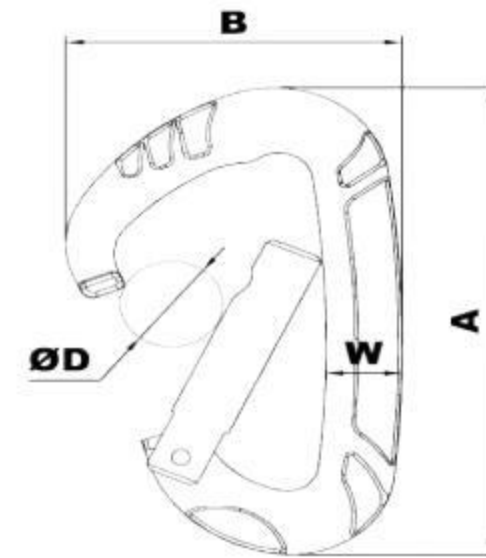
JS-A1305

Aluminum Material For Custom Round Shape Carabiner

- Material: A7075/6061
- Min. Breaking load: 1200kg/500kg
- Net weight: 25.7g
- Color: Any Color (Can be customized)

A	B	D	d	W
80.6	48.1	14.8	/	10.9

mm



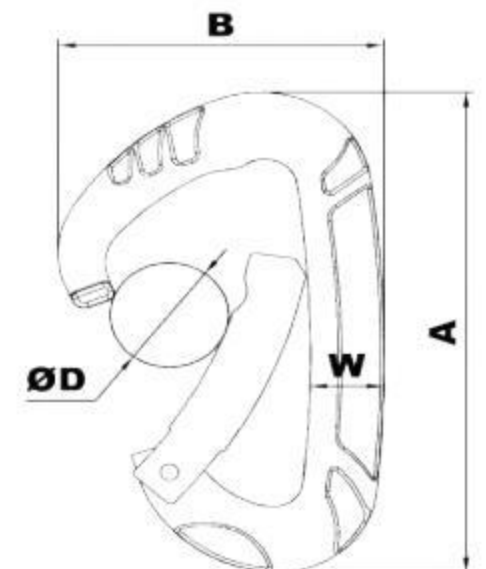
JS-A1305C

Custom Aluminum Material Round Shape Carabiner

- Material: A7075/6061
- Min. Breaking load: 1200kg/500kg
- Net weight: 25.7g
- Color: Any Color (Can be customized)

A	B	D	d	W
80.6	48.1	17.4	/	10.9

mm



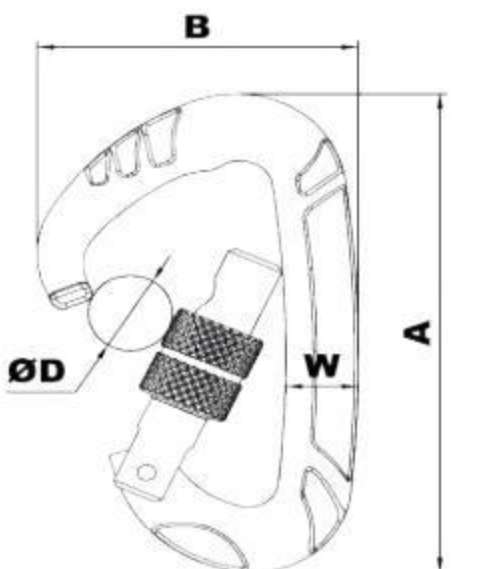
JS-A1305N

Chinese supplier Eco-friendly Custom Cheap Aluminum Locking Carabiner

- Material: A7075/6061
- Min. Breaking load: 1200kg/500kg
- Net weight: 27.4g
- Color: Any Color (Can be customized)

A	B	D	d	W
80.6	48.1	12.4	/	10.9

mm



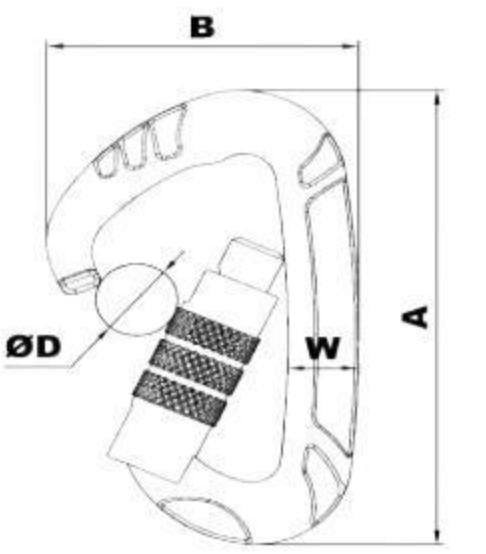
JS-A1305TN

Custom Aluminum Material Round Shape Carabiner

- Material: A7075/6061
- Min. Breaking load: 1200kg/500kg
- Net weight: 29.5g
- Color: Any Color (Can be customized)

A	B	D	d	W
80.6	48.1	12.4	/	10.9

mm



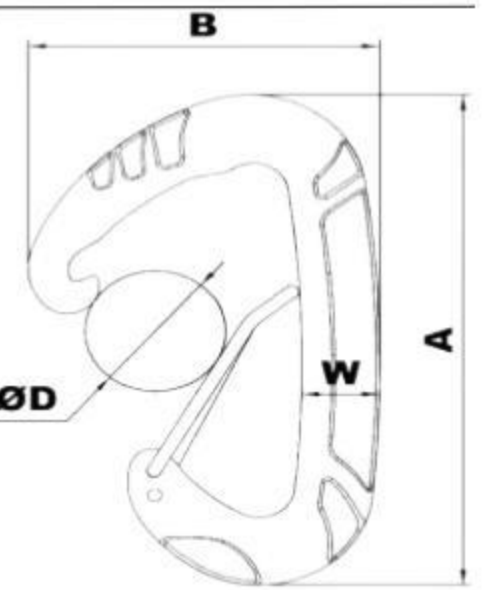
JS-A1305U

Aluminum Climbing Carabiner With Wire Gate

- Material: A7075/6061
- Min. Breaking load: 1200kg/500kg
- Net weight: 21.3g
- Color: Any Color (Can be customized)

A	B	D	d	W
80.6	49.3	19.4	/	10.9

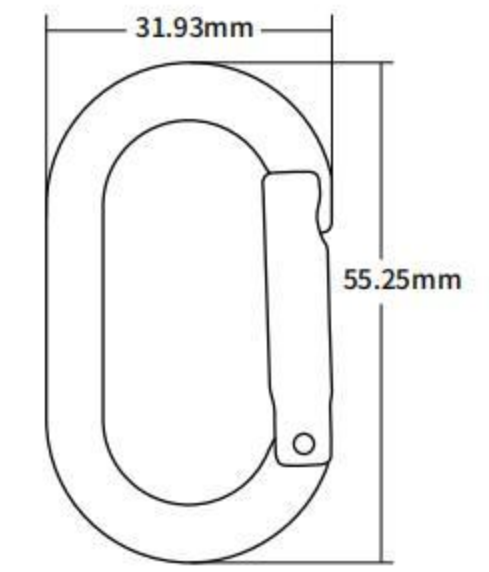
mm



JS-A1307

Aluminum Material For Custom Round Shape Carabiner

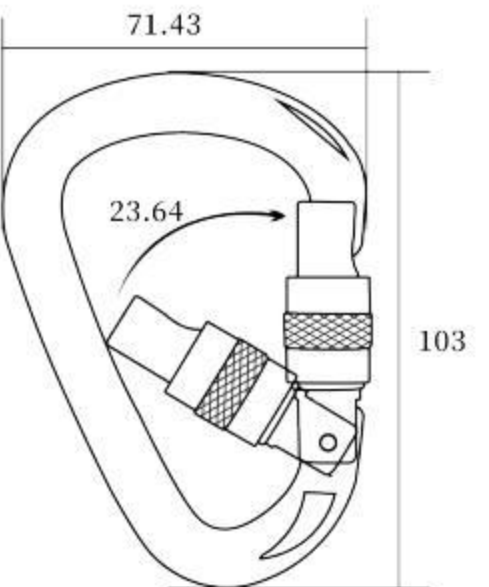
- Material: A7075
- Min. Breaking load: 300KG
- Net weight: 10.13g
- Color: Any Color (Can be customized)



JS-T1805N

Aluminum Material For Custom Round Shape Carabiner

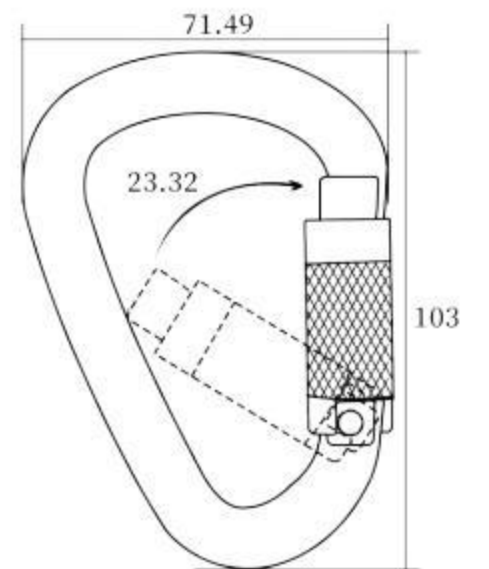
- Material: A7075
- Min. Breaking load: 28KN
- Net weight: 69g
- Color: Any Color (Can be customized)



JS-T1805TN

Aluminum Material For Custom Round Shape Carabiner

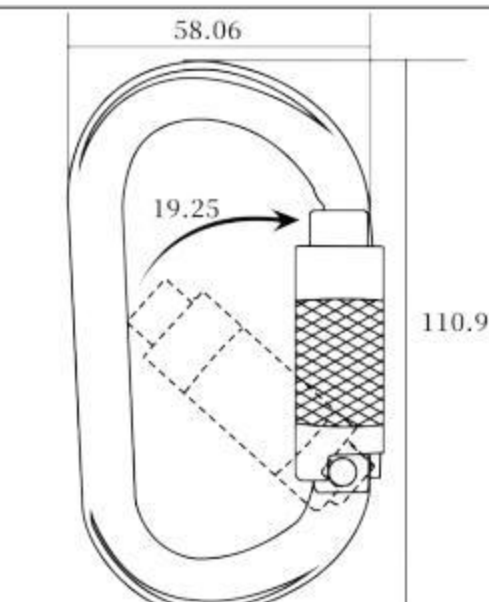
- Material: A7075
- Min. Breaking load: 28KN
- Net weight: 75.5g
- Color: Any Color (Can be customized)



JS-T1806TN

Aluminum Material For Custom Round Shape Carabiner

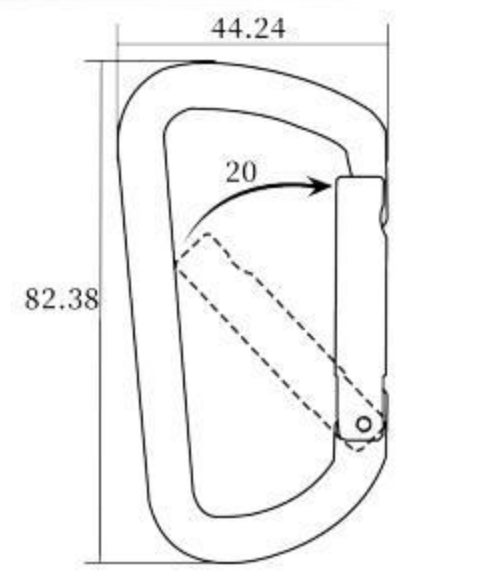
- Material: A7075
- Min. Breaking load: 2200kg
- Net weight: 80.5g
- Color: Any Color (Can be customized)



JS-T1808

Aluminum Material For Custom Round Shape Carabiner

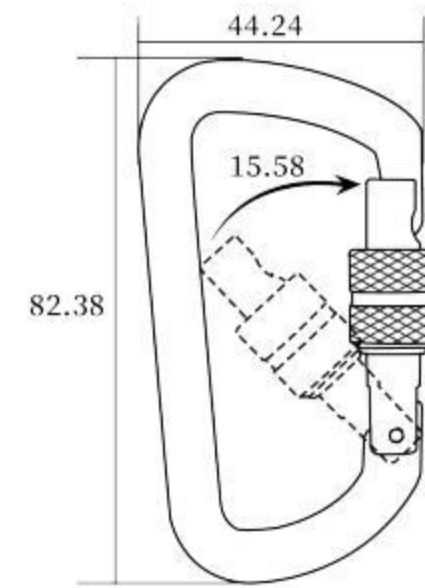
- Material: A7075
- Min. Breaking load: 1200kg
- Net weight: 28.2g
- Color: Any Color (Can be customized)



JS-T1808N

Aluminum Material For Custom Round Shape Carabiner

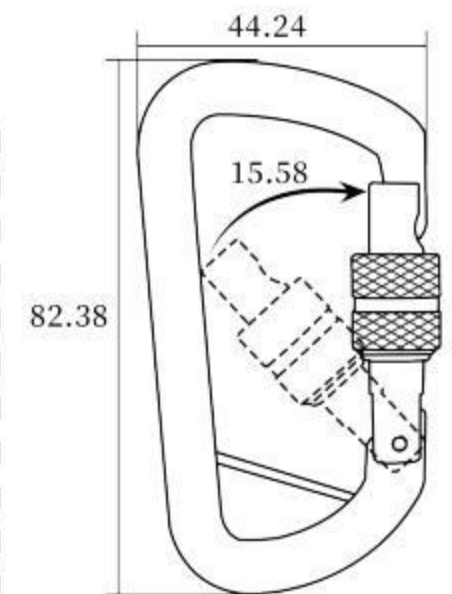
- Material: A7075
- Min. Breaking load: 1200kg
- Net weight: 30.7g
- Color: Any Color (Can be customized)



JS-T1808N-D

Aluminum Material For Custom Round Shape Carabiner

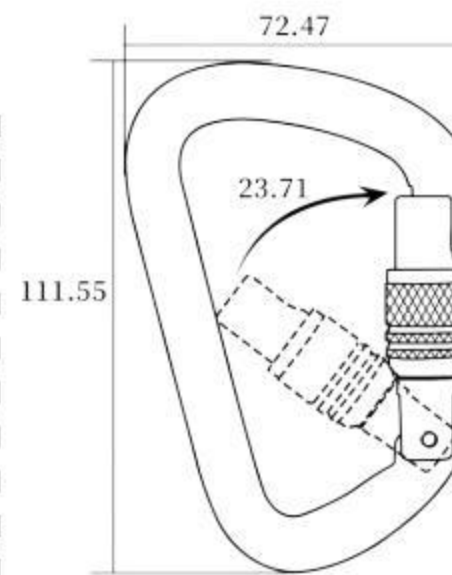
- Material: A7075
- Min. Breaking load: 1200kg
- Net weight: 30.7g
- Color: Any Color (Can be customized)



JS-T1809N

Aluminum Material For Custom Round Shape Carabiner

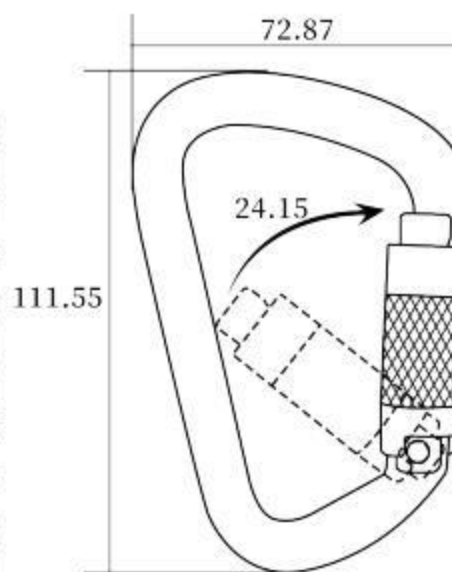
- Material: A7075
- Min. Breaking load: 2600kg
- Net weight: 76g
- Color: Any Color (Can be customized)



JS-T1809TN

Aluminum Material For Custom Round Shape Carabiner

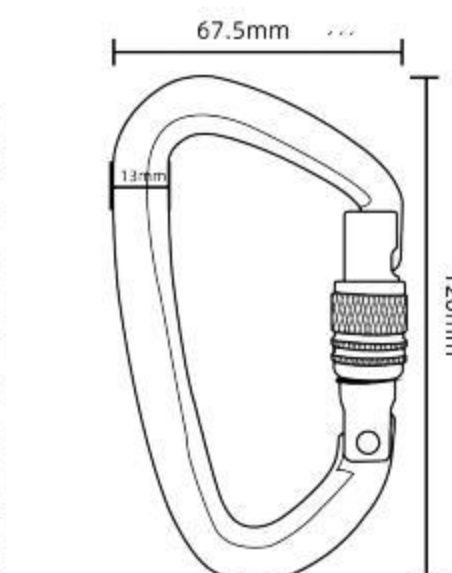
- Material: A7075
- Min. Breaking load: 2600kg
- Net weight: 79.9g
- Color: Any Color (Can be customized)



JS-A2005N

Aluminum Material For Custom Round Shape Carabiner

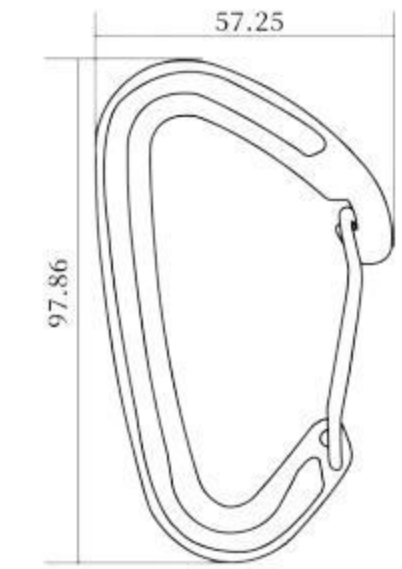
- Material: A7075
- Min. Breaking load: 24KN
- Net weight: 30.07g
- Color: Any Color (Can be customized)



JS-A2015U

Aluminum Material For Custom Round Shape Carabiner

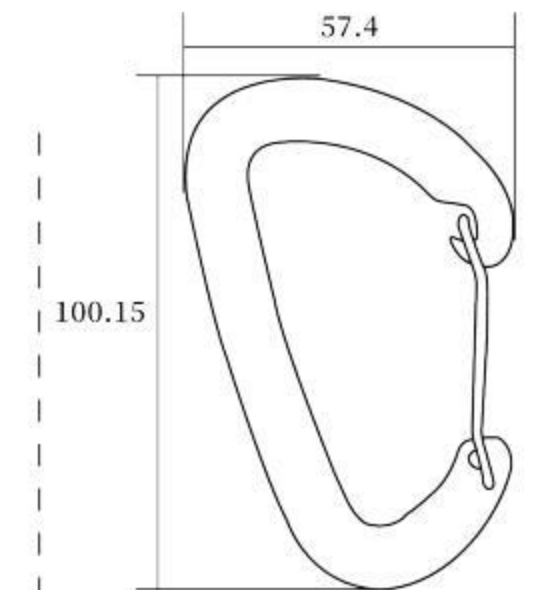
- Material: A7075
- Min. Breaking load: 24KN
- Net weight: 30.07g
- Color: Any Color (Can be customized)



JS-A2062U

Aluminum Material For Custom Round Shape Carabiner

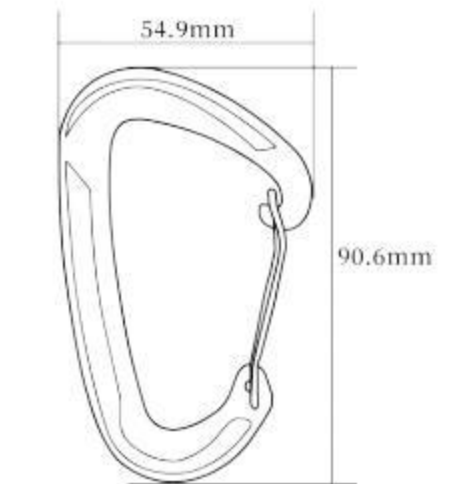
- Material: A7075
- Min. Breaking load: 24KN
- Net weight: 42.32g
- Color: Any Color (Can be customized)



JS-A2063U

Aluminum Material For Custom Round Shape Carabiner

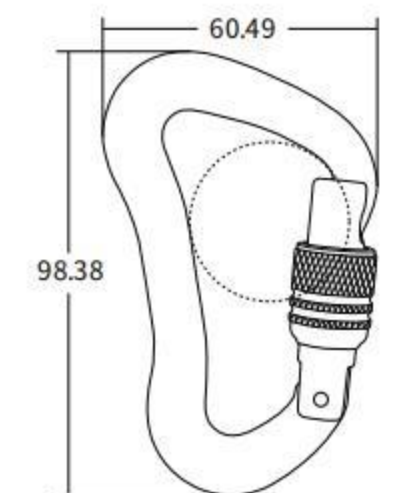
- Material: A7075
- Min. Breaking load: 18kn
- Net weight: 32.3g
- Color: Any Color (Can be customized)



JS-A2102N

Aluminium Material For Custom D Shaped Carabiner

- Material: A7075
- Min. Breaking load: 24kg
- Net weight: 54.24g
- Color: Any Color (Can be customized)

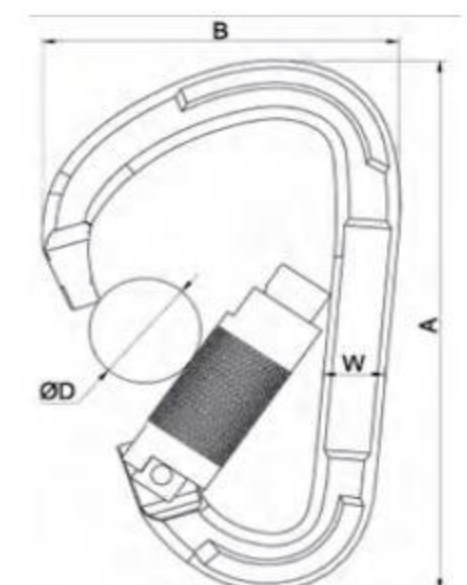


JS-A7103TN

Aluminum Material For Custom Round Shape Carabiner

- Material: A7075
- Min. Breaking load: 2500kg
- Net weight: 89g
- Color: Any Color (Can be customized)

A	B	D	d	W	mm
115	72.5	22	/	11.4	



JS-A7104TN3

Aluminum Material For Custom D Shape Carabiner

- Material: A7075
- Min. Breaking load: 27kN
- Net weight: 100.3g
- Color: Any Color (Can be customized)



JS-A7106

Aluminum Material For Custom Round Shape Carabiner

- Material: A7075
- Min. Breaking load: 2200kg
- Net weight: 44g
- Color: Any Color (Can be customized)

A	B	D	d	W
100	58	20	/	11.1

mm



JS-A7106U

Aluminum Material For Custom Round Shape Carabiner

- Material: A7075
- Min. Breaking load: 2200kg
- Net weight: 22g
- Color: Any Color (Can be customized)



JS-A7106C

Aluminum Material For Custom Round Shape Carabiner

- Material: A7075
- Min. Breaking load: 2200kg
- Net weight: 44g
- Color: Any Color (Can be customized)

A	B	D	d	W
100	58	20	/	11.1

mm



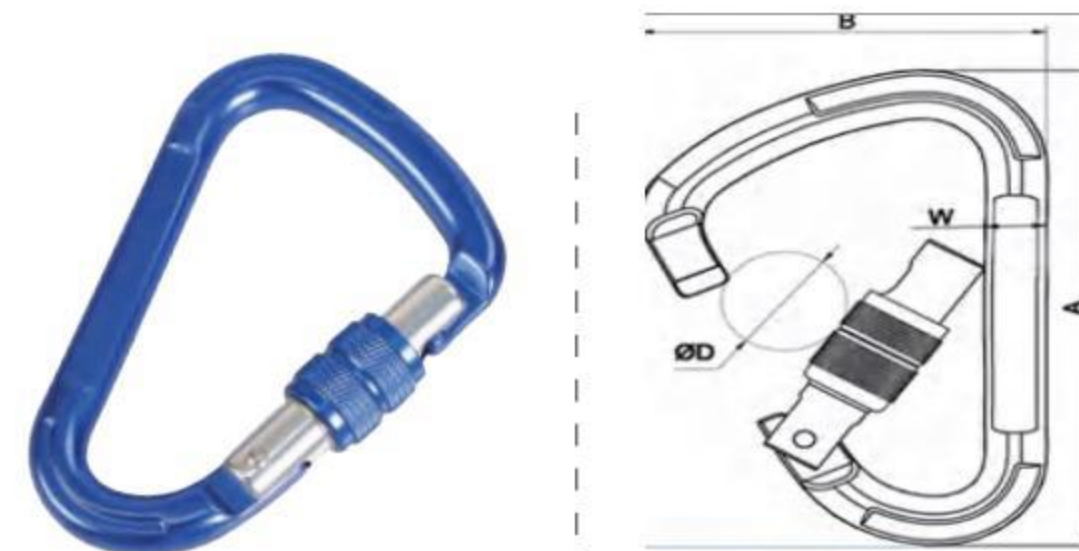
JS-A7107N

Aluminum Material For Custom Round Shape Carabiner

- Material: A7075
- Min. Breaking load: 2500kg
- Net weight: 84g
- Color: Any Color (Can be customized)

A	B	D	d	W
111	75	22	/	11.5

mm



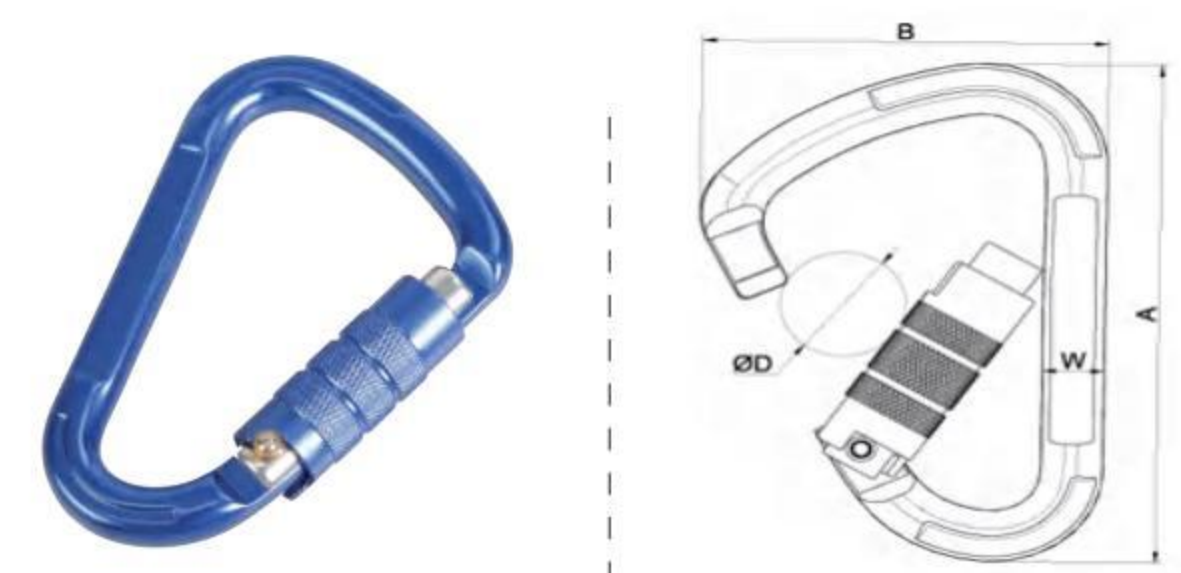
JS-A7107TN

Aluminum Material For Custom Round Shape Carabiner

- Material: A7075
- Min. Breaking load: 2500kg
- Net weight: 87g
- Color: Any Color (Can be customized)

A	B	D	d	W
111	75	22	/	11.5

mm



JS-A7108

Aluminum Material For Custom Round Shape Carabiner

- Material: A7075
- Min. Breaking load: 2500kg
- Net weight: 72g
- Color: Any Color (Can be customized)

A	B	D	d	W
111	60	22	/	11

mm



JS-A7108N

Aluminum Material For Custom Round Shape Carabiner

- Material: A7075
- Min. Breaking load: 2500kg
- Net weight: 73g
- Color: Any Color (Can be customized)

A	B	D	d	W
111	60	19	/	11

mm



JS-A7108C

Aluminum Material For Custom Round Shape Carabiner

- Material: A7075
- Min. Breaking load: 2500kg
- Net weight: 68g
- Color: Any Color (Can be customized)

A	B	D	d	W
111	60	22	/	11

mm



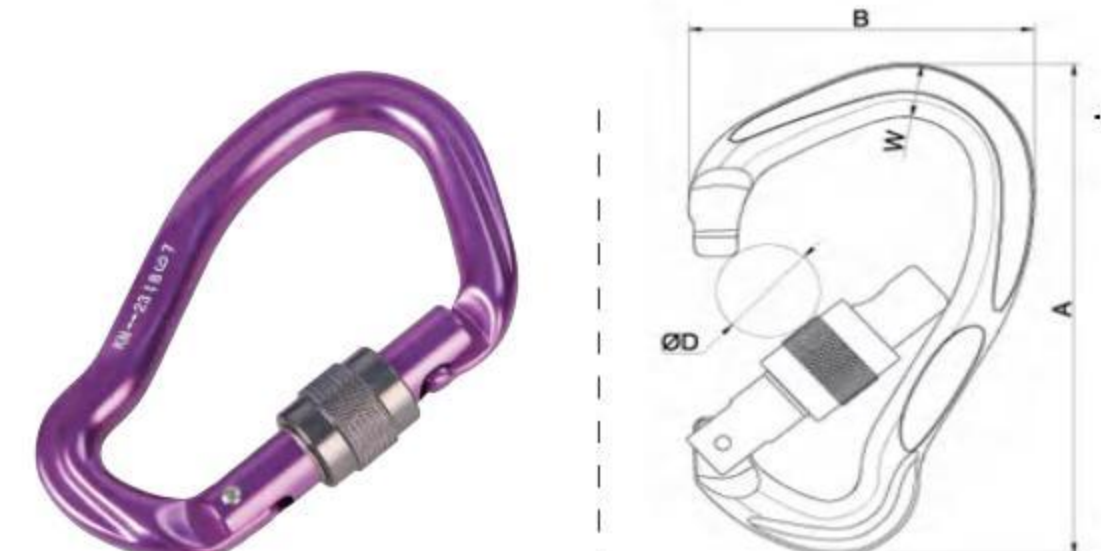
JS-A7109N

Aluminum Material For Custom Round Shape Carabiner

- Material: A7075
- Min. Breaking load: 2300kg
- Net weight: 67g
- Color: Any Color (Can be customized)

A	B	D	d	W
106	66.5	20	/	11.5

mm

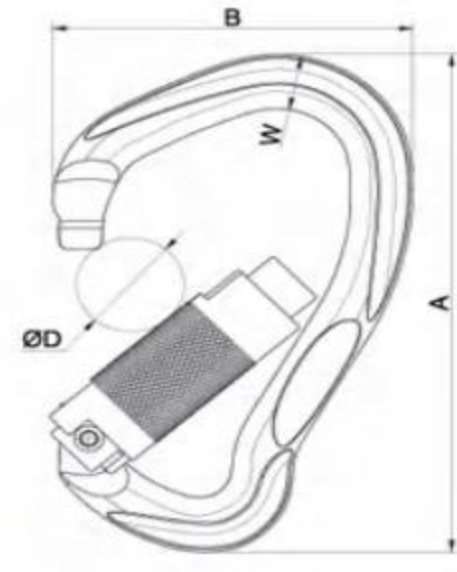


JS-A7109TN

Aluminum Material For Custom Round Shape Carabiner

- Material: A7075
- Min. Breaking load: 2300kg
- Net weight: 77g
- Color: Any Color (Can be customized)

A	B	D	d	W	mm
106	66.5	20	/	11.5	

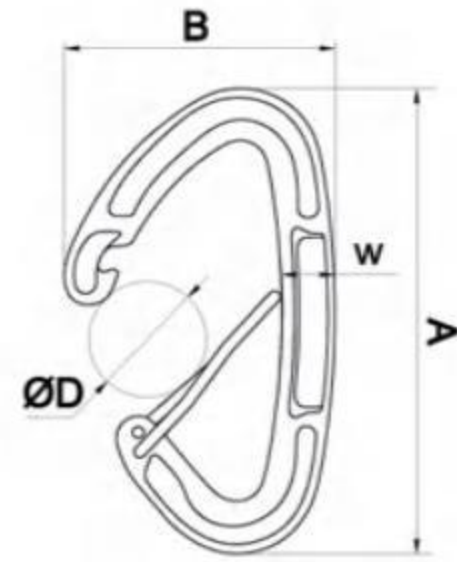


JS-A7806U

Aluminum Material For Custom Round Shape Carabiner

- Material: A7075
- Min. Breaking load: 1200kg
- Net weight: 20g
- Color: Any Color (Can be customized)

A	B	D	d	W	mm
80	46	21	/	9	

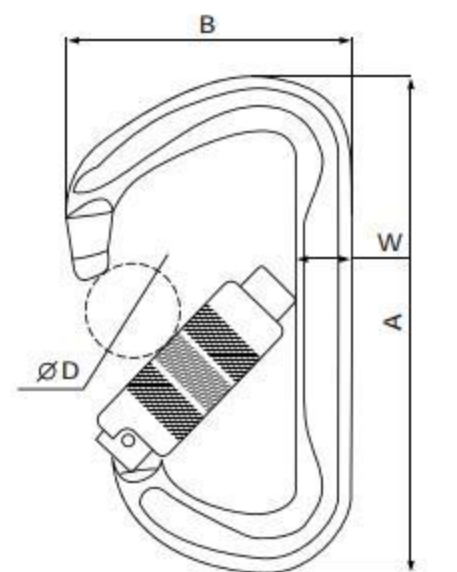


JS-A7111TN

Aluminum Material For Custom Round Shape Carabiner

- Material: A7075
- Min. Breaking load: 25KN
- Net weight: 82g
- Color: Any Color (Can be customized)

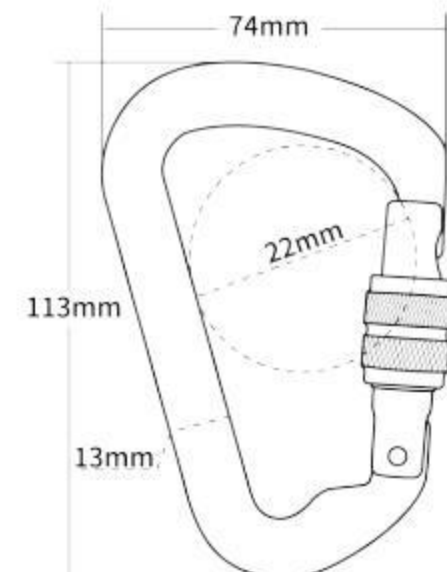
A	B	D	d	W	mm
116	69	22	/	13	



JS-A7112N

Aluminum Material For Custom Round Shape Carabiner

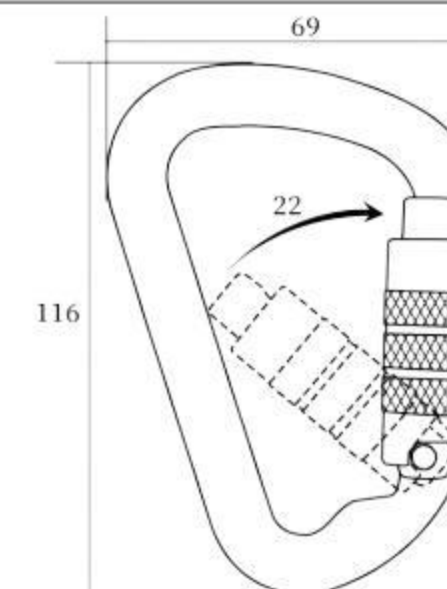
- Material: A7075
- Min. Breaking load: 25KN
- Net weight: 82g
- Color: Any Color (Can be customized)



JS-A7112TN

Aluminum Material For Custom Round Shape Carabiner

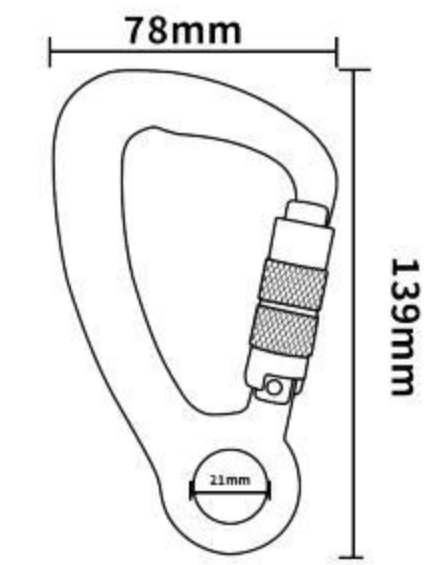
- Material: A7075
- Min. Breaking load: 25KN
- Net weight: 82g
- Color: Any Color (Can be customized)



JS-A7113TN

Aluminium Material For Custom D Shaped Carabiner

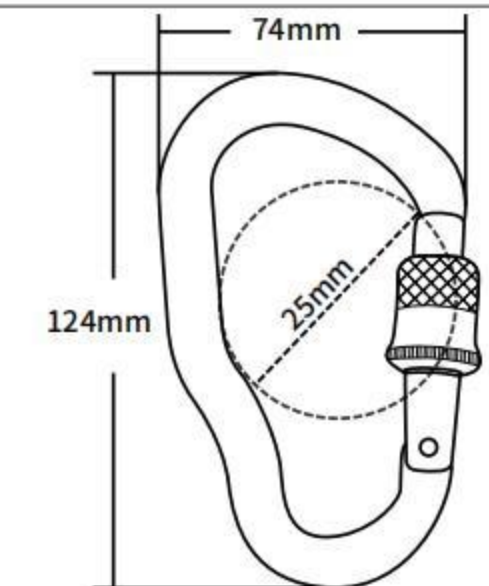
- Material: A7075
- Min. Breaking load: 30kn
- Net weight: 87.8g
- Color: Any Color (Can be customized)



JS-A7117T

Aluminium Material For Custom D Shaped Carabiner

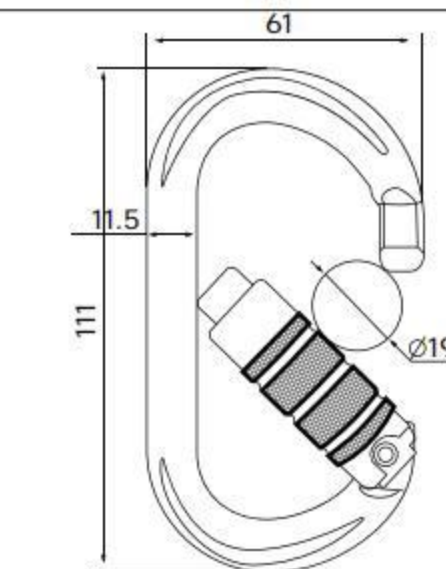
- Material: A7075
- Min. Breaking load: 30kn
- Net weight: 87.8g
- Color: Any Color (Can be customized)



JS-A7108TN3

Aluminium Material For Custom D Shaped Carabiner

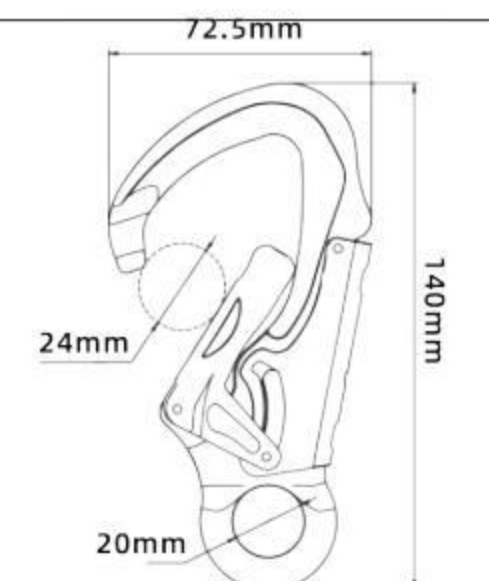
- Material: A7075
- Min. Breaking load: 2500kg
- Net weight: 81.6g
- Color: Any Color (Can be customized)



JS-A7110TN

Aluminium Material For Custom D Shaped Carabiner

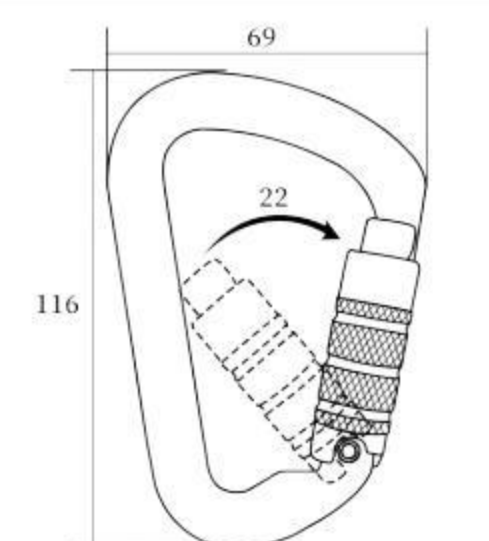
- Material: A7075
- Min. Breaking load: 35kn
- Net weight: 125.5g
- Color: Any Color (Can be customized)



JS-A7112TN3

Aluminium Material For Custom D Shaped Carabiner

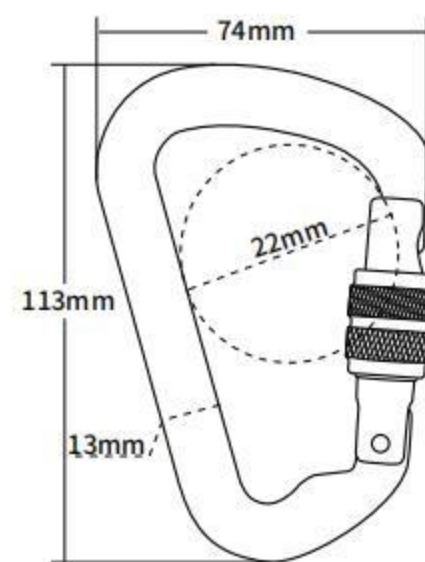
- Material: A7075
- Min. Breaking load: 30kn
- Net weight: 87.8g
- Color: Any Color (Can be customized)



JS-A7112N

Camping /Fishing /Hiking /Traveling Aluminum Carabiner

- Material: Aluminum 6061
- Min. Breaking load: 12KN
- Net weight:
- Color: Any Color (Can be customized)

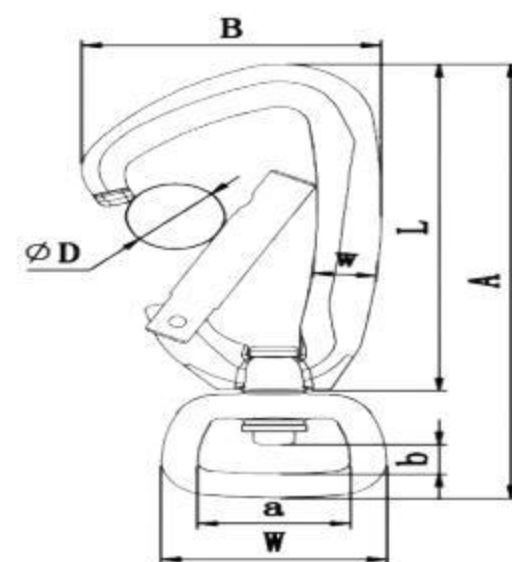


JS-A1303+A

Cheap And High Quality For Aluminum Swivel Carabiner

- Material: A7075
- Min. Breaking load: 400kg
- Net weight: 20.9g
- Color: Any Color (Can be customized)

A	B	L	W	D	a	b	w
86.2	39.3	65	29.7	12.8	20.1	5.8	8.5

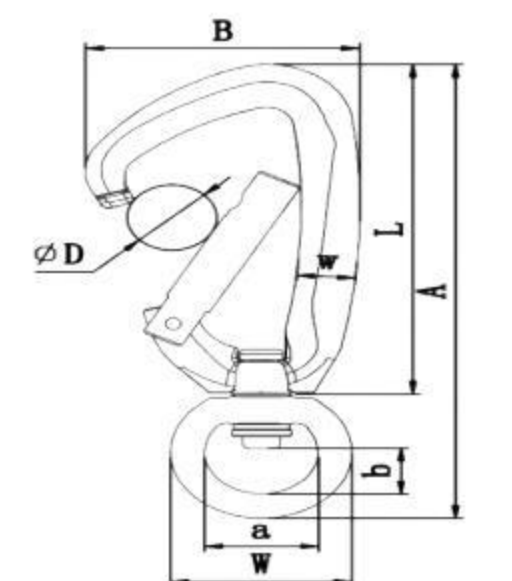
 mm


JS-A1303+B

Manufacturer Price For Aluminum Swivel Carabiner

- Material: A7075
- Min. Breaking load: 400kg
- Net weight: 21.5g
- Color: Any Color (Can be customized)

A	B	L	W	D	a	b	w
88.8	39.3	65	26	12.8	16.4	9	8.5

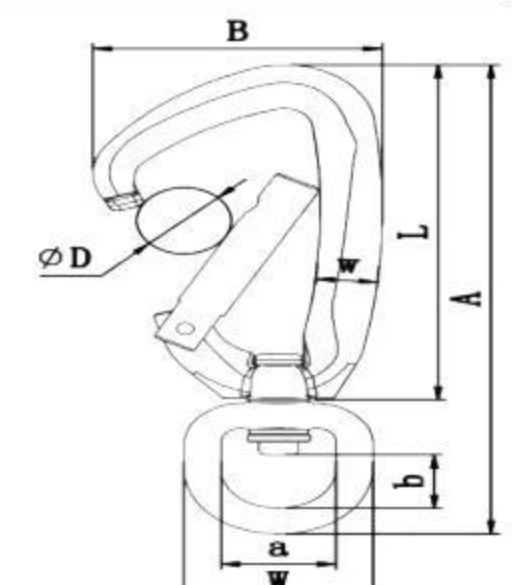
 mm


JS-A1303+C

Top selling Camping /Hiking /Climbing Aluminum Swivel Carabiner

- Material: A7075
- Min. Breaking load: 400kg
- Net weight: 21.8g
- Color: Any Color (Can be customized)

A	B	L	W	D	a	b	w
90.8	39.3	65	25.7	12.8	15.7	10.3	8.5

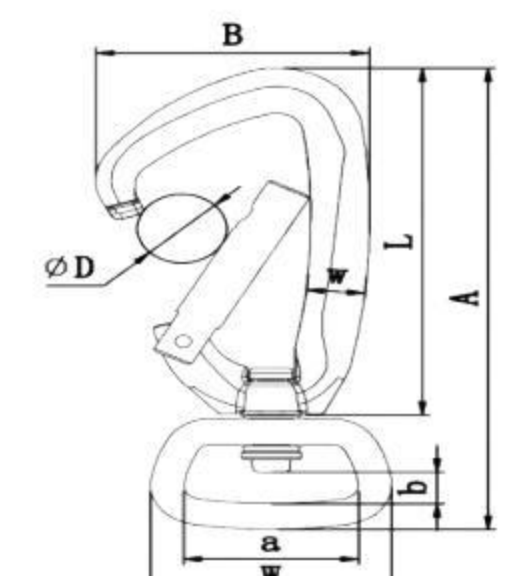
 mm


JS-A1303+D

Latest Style Aluminum Swivel Carabiner

- Material: A7075
- Min. Breaking load: 400kg
- Net weight: 22.2g
- Color: Any Color (Can be customized)

A	B	L	W	D	a	b	w
86.2	39.3	65	34.7	12.8	25.1	5.8	8.5

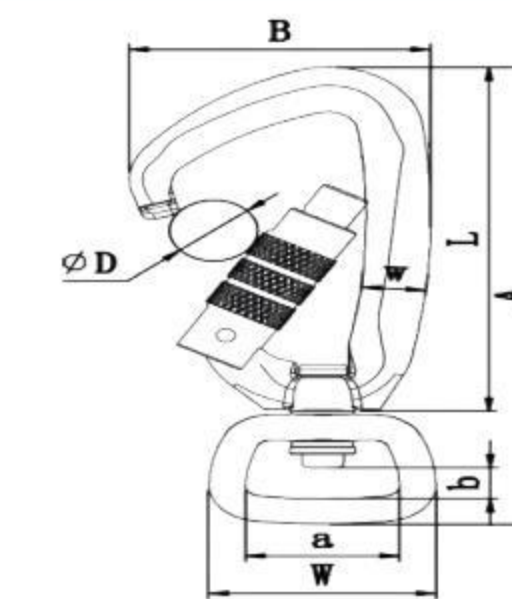
 mm


JS-A1303TN+A

Cheap And High Quality For Aluminum Swivel Carabiner

- Material: A7075
- Min. Breaking load: 400kg
- Net weight: 23.2g
- Color: Any Color (Can be customized)

A	B	L	W	D	a	b	w
86.2	39.3	65	29.7	11.5	20.1	5.8	8.5

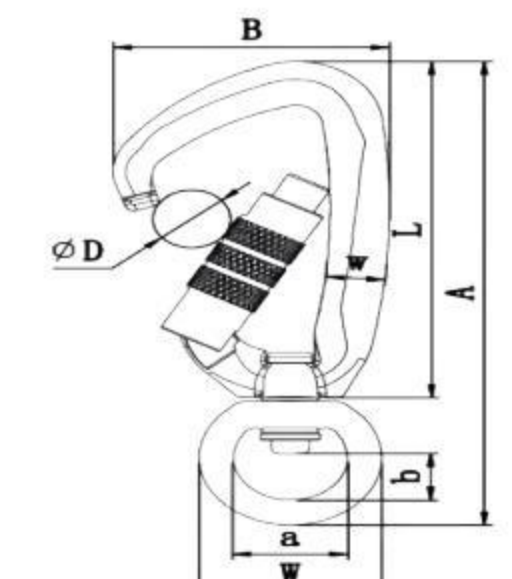
 mm


JS-A1303TN+B

High Quality Mini Aluminum Alloy Swivel Carabiner

- Material: A7075
- Min. Breaking load: 400kg
- Net weight: 23.9g
- Color: Any Color (Can be customized)

A	B	L	W	D	a	b	w
88.8	39.3	65	26	11.5	16.4	9	8.5

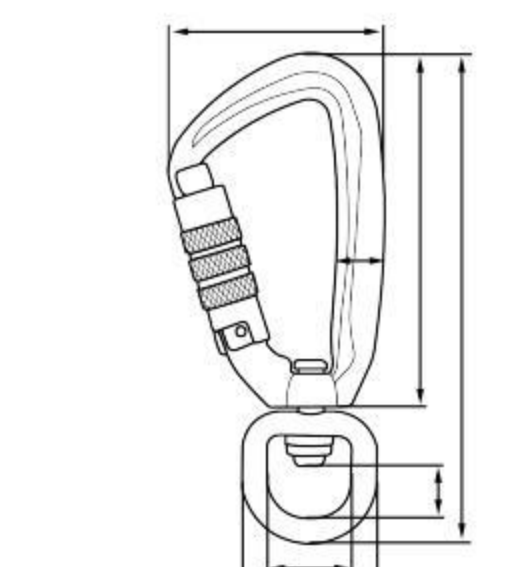
 mm


JS-A1303TN+C

Cheap And High Quality For Aluminum Swivel Carabiner

- Material: A7075
- Min. Breaking load: 400kg
- Net weight: 24.1g
- Color: Any Color (Can be customized)

A	B	L	W	D	a	b	w
90.8	39.3	65	25.7	11.5	15.7	10.3	8.5

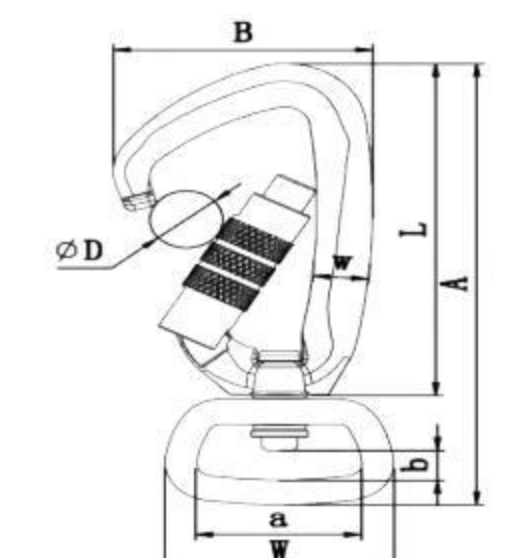
 mm


JS-A1303TN+D

Cheap And High Quality For Aluminum Swivel Carabiner

- Material: A7075
- Min. Breaking load: 400kg
- Net weight: 24.5g
- Color: Any Color (Can be customized)

A	B	L	W	D	a	b	w
86.2	39.3	65	34.7	11.5	25.1	5.8	8.5

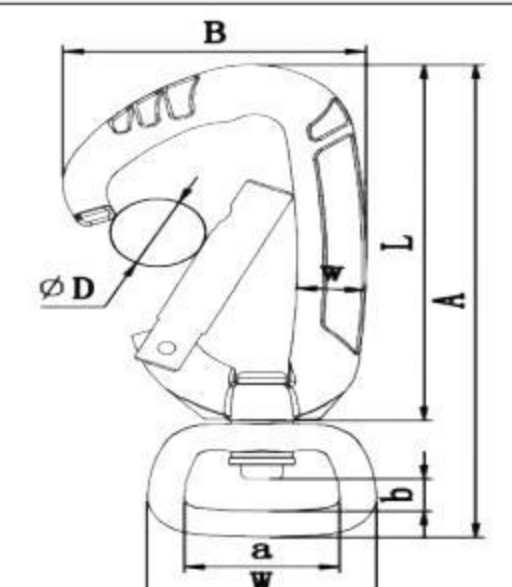
 mm


JS-A1305+A

Quality Guaranteed Aluminum Alloy Metal Carabiner

- Material: A7075
- Min. Breaking load: 400kg
- Net weight: 21.2g
- Color: Any Color (Can be customized)

A	B	L	W	D	a	b	w
88.8	39.1	65	29.7	12	20	5.8	8.8

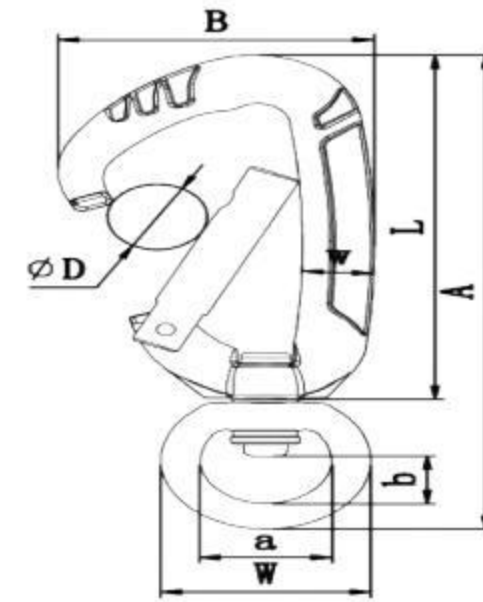
 mm


JS-A1305+B

Cheap And High Quality For Aluminum Swivel Carabiner

- Material: A7075
- Min. Breaking load: 400kg
- Net weight: 21.8g
- Color: Any Color (Can be customized)

A	B	L	W	D	a	b	w
89.5	39.1	65	26	12	16.4	9	8.8

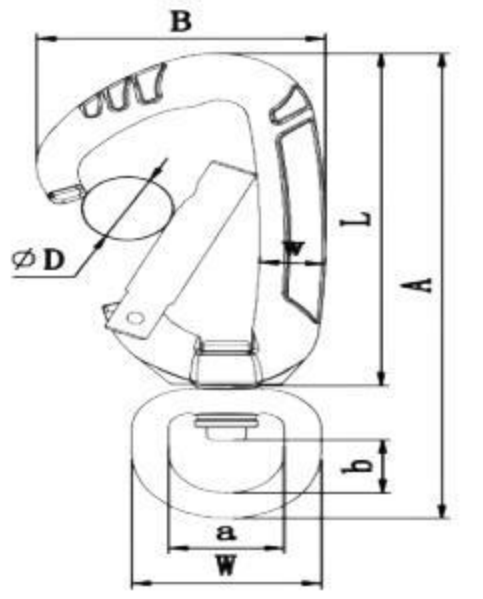


JS-A1305+C

Competitive Aluminum Swivel Carabiner

- Material: A7075
- Min. Breaking load: 400kg
- Net weight: 22.1g
- Color: Any Color (Can be customized)

A	B	L	W	D	a	b	w
91	39.1	65	25.7	12	16	10.3	8.8

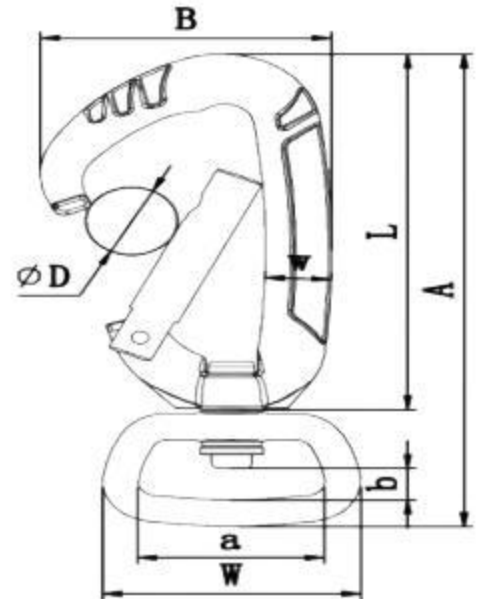


JS-A1305+D

Aluminum Climbing Carabiner With Wire Gate

- Material: A7075
- Min. Breaking load: 400kg
- Net weight: 22.5g
- Color: Any Color (Can be customized)

A	B	L	W	D	a	b	w
86.3	39.1	65	34.7	12	25.1	5.8	8.8

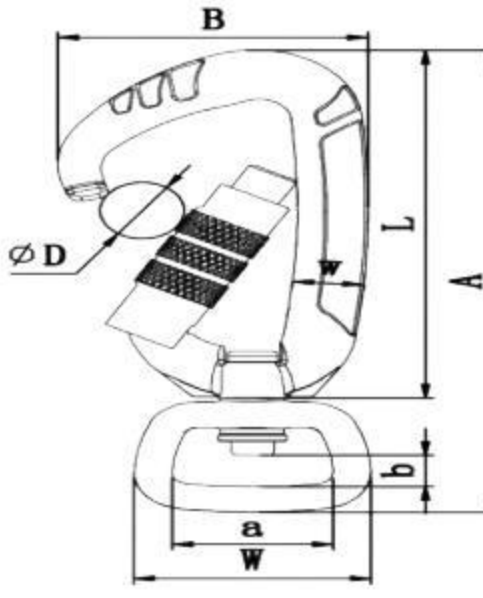


JS-A1305TN+A

Aluminium Material For Custom D Shaped Swivel Carabiner

- Material: A7075
- Min. Breaking load: 400kg
- Net weight: 21.9g
- Color: Any Color (Can be customized)

A	B	L	W	D	a	b	w
88.8	39.1	65	29.7	12	20.1	5.8	8.8

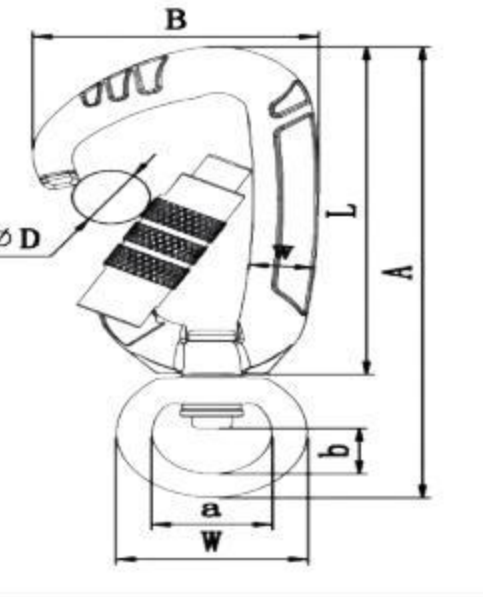


JS-A1305TN+B

Aluminium Material For Custom D Shaped Swivel Carabiner

- Material: A7075
- Min. Breaking load: 400kg
- Net weight: 23.9g
- Color: Any Color (Can be customized)

A	B	L	W	D	a	b	w
89.5	39.1	65	26	12	16.4	9	8.8

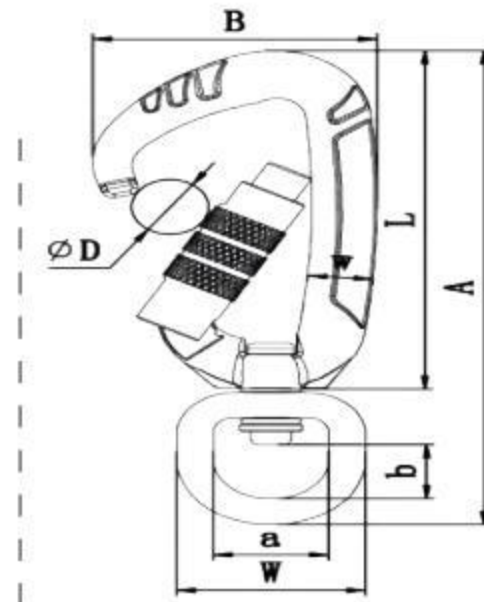


JS-A1305TN+C

New Design Climbing Aluminium Swivel Carabiner

- Material: A7075
- Min. Breaking load: 400kg
- Net weight: 23.8g
- Color: Any Color (Can be customized)

A	B	L	W	D	a	b	w
91	39.1	65	25.7	12	15.7	10.3	8.8

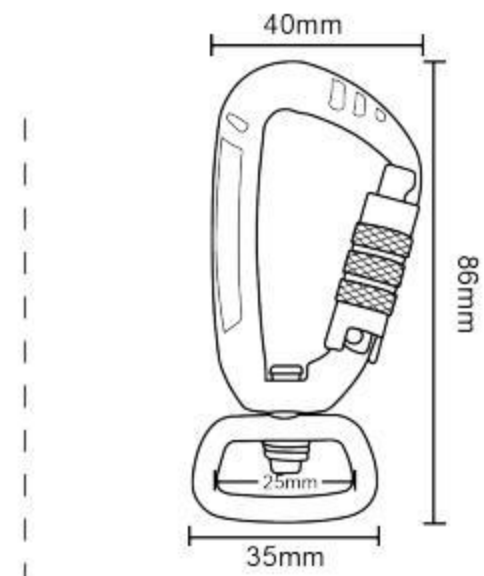


JS-A1305TN+D

New Design Climbing Aluminium Swivel Carabiner

- Material: A7075
- Min. Breaking load: 400kg
- Net weight: 24.2g
- Color: Any Color (Can be customized)

A	B	L	W	D	a	b	w
86.3	39.1	65	34.7	12	25.1	5.8	8.8

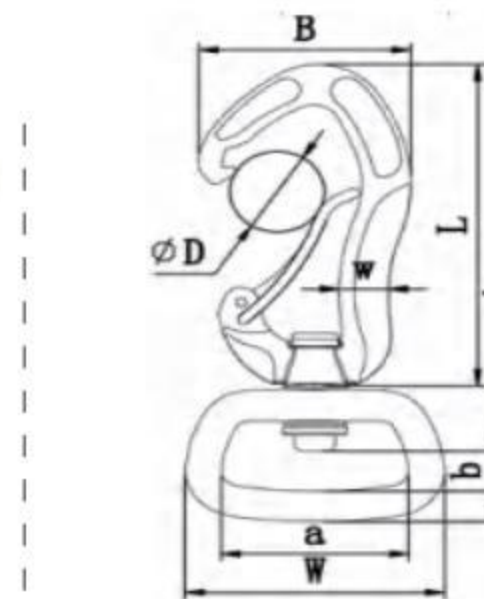


JS-A1350U+A

Camping /Fishing /Hiking /Traveling Aluminum Swivel Carabiner

- Material: A7075
- Min. Breaking load: 300kg
- Net weight: 14g
- Color: Any Color (Can be customized)

A	B	L	W	D	a	b	w
71.6	28.4	50.2	34.7	12.5	20.1	6.3	6.6

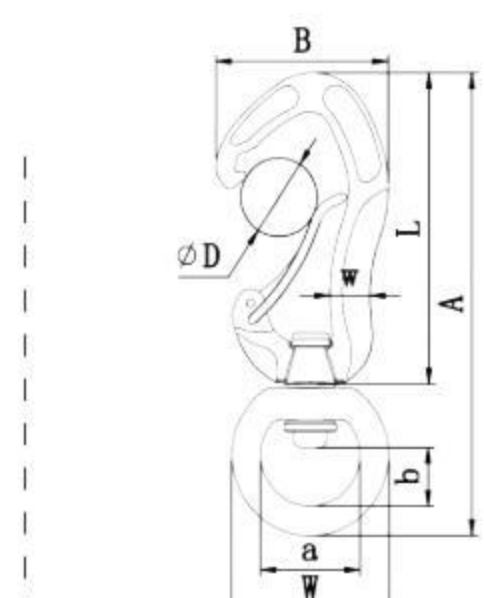


JS-A1350U+B

Camping /Fishing /Hiking /Traveling Aluminum Swivel Carabiner

- Material: A7075
- Min. Breaking load: 300kg
- Net weight: 14.6g
- Color: Any Color (Can be customized)

A	B	L	W	D	a	b	w
74.7	28.4	50.2	26	12.5	16.4	9.4	6.6

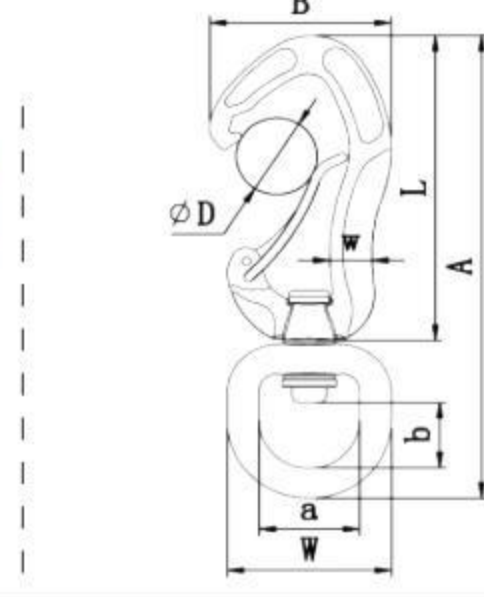


JS-A1350U+C

Camping /Fishing /Hiking /Traveling Aluminum Swivel Carabiner

- Material: A7075
- Min. Breaking load: 300kg
- Net weight: 14.9g
- Color: Any Color (Can be customized)

A	B	L	W	D	a	b	w
76.2	28.4	50.2	25.7	12.5	15.7	10.7	6.6

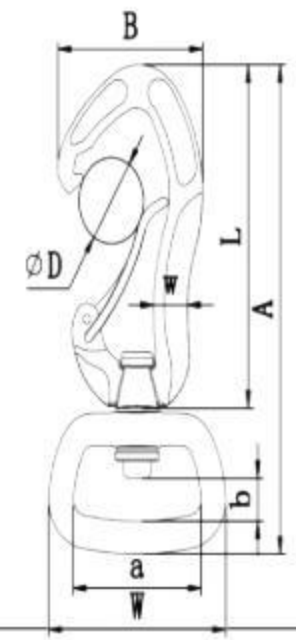


JS-A1350U+D

Camping /Fishing /Hiking /Traveling Aluminum Swivel Carabiner

- Material: A7075
- Min. Breaking load: 300kg
- Net weight: 15.3g
- Color: Any Color (Can be customized)

A	B	L	W	D	a	b	w
71.6	28.4	50.2	34.7	12.5	25.1	6.3	6.6

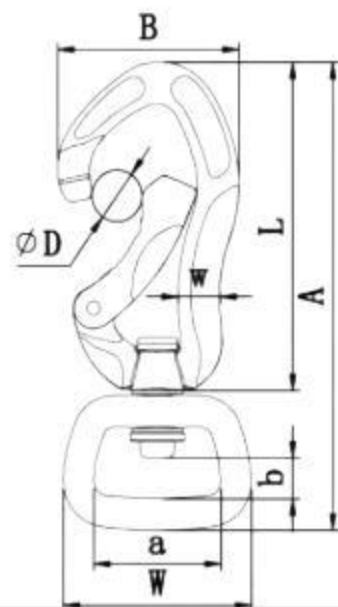


JS-A1350C+A

Camping /Fishing /Hiking /Traveling Aluminum Swivel Carabiner

- Material: A7075
- Min. Breaking load: 300kg
- Net weight: 16g
- Color: Any Color (Can be customized)

A	B	L	W	D	a	b	w
71.6	28.5	50.2	29.7	8	20.1	6.3	6.6

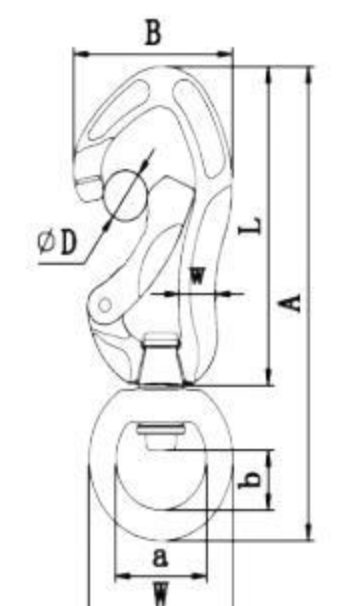


JS-A1350C+B

Camping /Fishing /Hiking /Traveling Aluminum Swivel Carabiner

- Material: A7075
- Min. Breaking load: 300kg
- Net weight: 16.6g
- Color: Any Color (Can be customized)

A	B	L	W	D	a	b	w
74.7	28.5	50.2	26	8	16.4	9.4	6.6

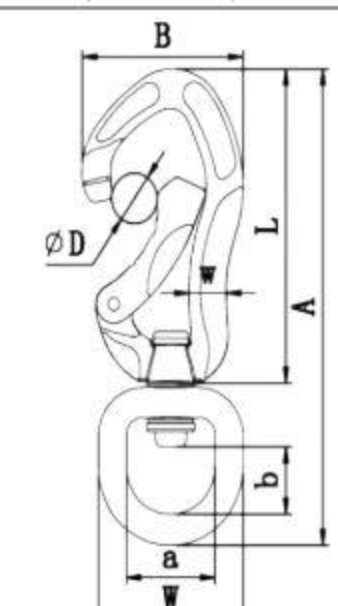


JS-A1350C+C

Camping /Fishing /Hiking /Traveling Aluminum Swivel Carabiner

- Material: A7075
- Min. Breaking load: 300kg
- Net weight: 16.9g
- Color: Any Color (Can be customized)

A	B	L	W	D	a	b	w
76.2	28.4	50.2	25.7	8	15.1	10.7	6.6

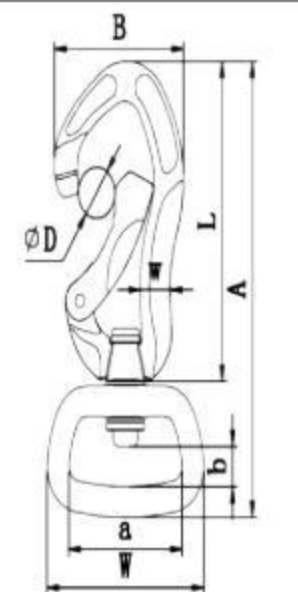


JS-A1350C+D

Camping /Fishing /Hiking /Traveling Aluminum Swivel Carabiner

- Material: A7075
- Min. Breaking load: 300kg
- Net weight: 17.3g
- Color: Any Color (Can be customized)

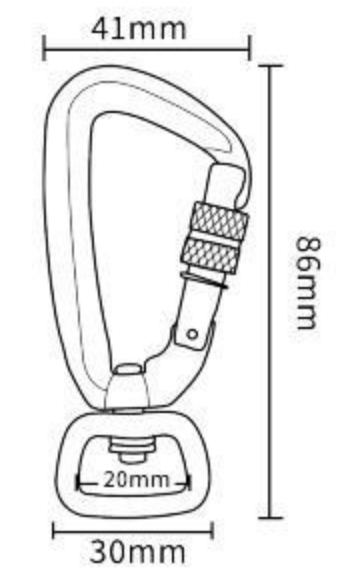
A	B	L	W	D	a	b	w
71.6	28.5	50.2	34.7	8	25.1	6.3	6.6



JS-A1303N+A

Aluminium Material For Custom D Shaped Swivel Carabiner

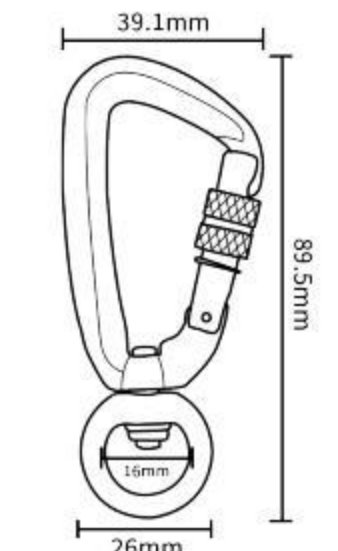
- Material: A7075
- Min. Breaking load: 400kg
- Net weight: 20.9g
- Color: Any Color (Can be customized)



JS-A1303N+B

Aluminium Material For Custom D Shaped Swivel Carabiner

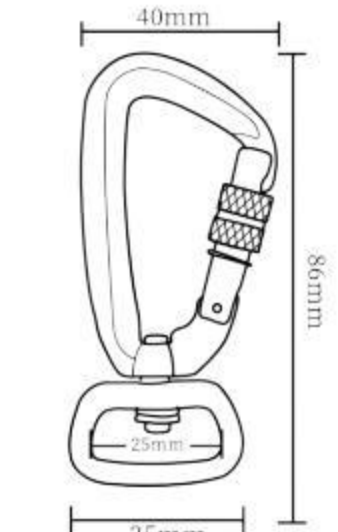
- Material: A7075
- Min. Breaking load: 400kg
- Net weight: 21.5g
- Color: Any Color (Can be customized)



JS-A1303N+D

Aluminium Material For Custom D Shaped Swivel Carabiner

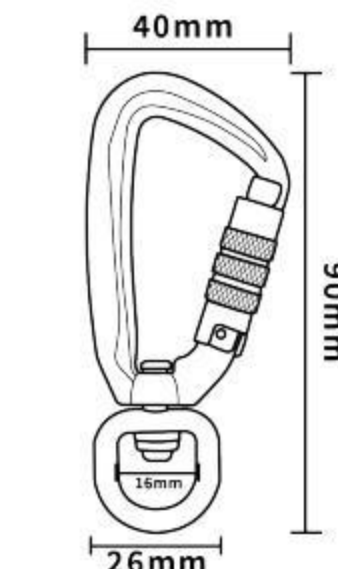
- Material: A7075
- Min. Breaking load: 400kg
- Net weight: 22.2g
- Color: Any Color (Can be customized)



JS-A1303TN+C

Camping /Fishing /Hiking /Traveling Aluminum Locking Carabiner

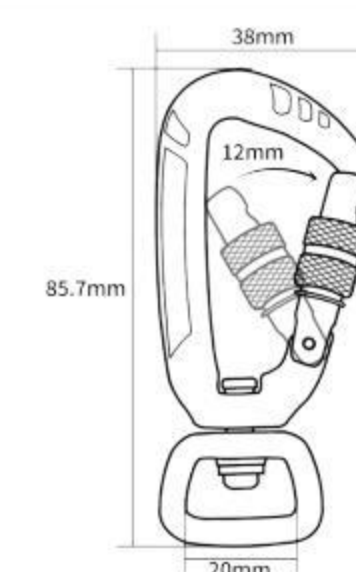
- Material: A7075
- Min. Breaking load: 400kg
- Net weight: 24.1g
- Color: Any Color (Can be customized)



JS-A1305N+A

Aluminium Material For Custom D Shaped Swivel Carabiner

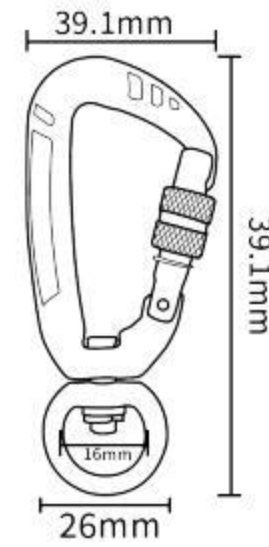
- Material: A7075
- Min. Breaking load: 400kg
- Net weight: 22g
- Color: Any Color (Can be customized)



JS-A1305N+B

Aluminium Material For Custom D Shaped Swivel Carabiner

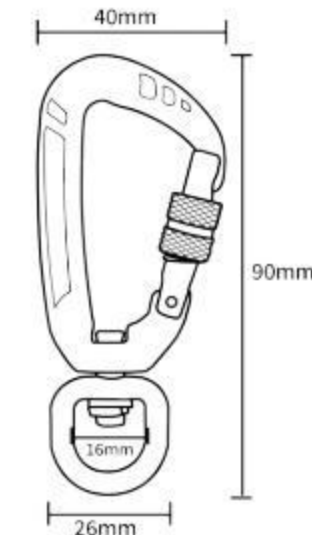
- Material: A7075
- Min. Breaking load: 400kg
- Net weight: 24g
- Color: Any Color (Can be customized)



JS-A1305N+C

Aluminium Material For Custom D Shaped Swivel Carabiner

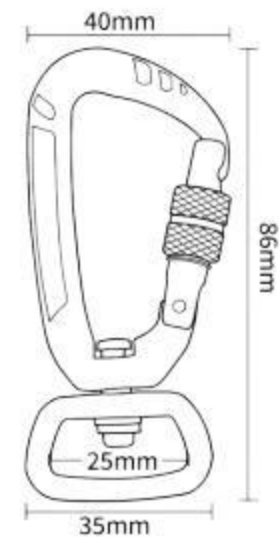
- Material: A7075
- Min. Breaking load: 400kg
- Net weight: 24g
- Color: Any Color (Can be customized)



JS-A1305N+D

Aluminium Material For Custom D Shaped Swivel Carabiner

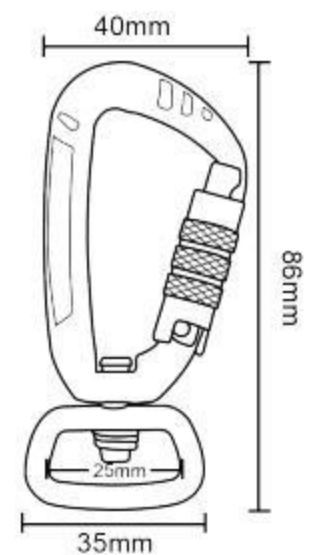
- Material: A7075
- Min. Breaking load: 400kg
- Net weight: 24g
- Color: Any Color (Can be customized)



JS-A1305TN+D

Aluminium Material For Custom D Shaped Swivel Carabiner

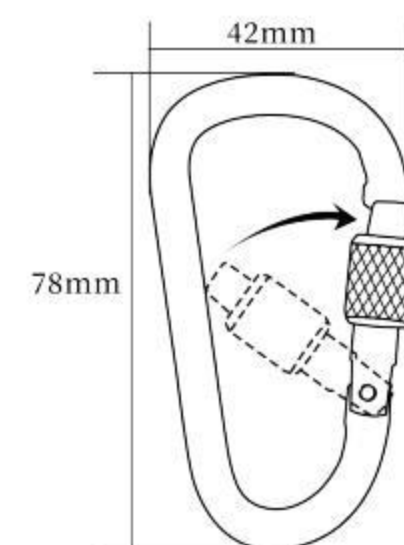
- Material: A7075
- Min. Breaking load: 400kg
- Net weight: 24.2g
- Color: Any Color (Can be customized)



JS-A15001N

Aluminium Material For Custom D Shaped Carabiner

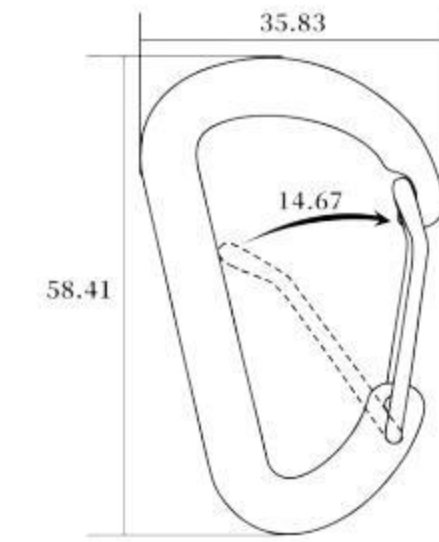
- Material: Aluminum alloy
- Min. Breaking load: 7KN
- Net weight: 23.8g
- Color: Any Color (Can be customized)



JS-A15002

Aluminium Material For Custom D Shaped Carabiner

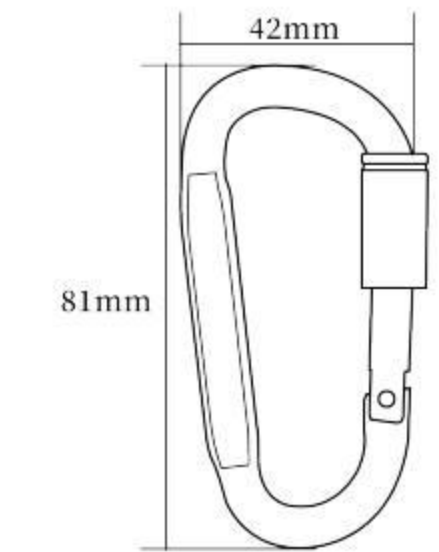
- Material: Aluminum alloy
- Min. Breaking load: 100Kg
- Net weight: 10g
- Color: Any Color (Can be customized)



JS-A15003N

Aluminium Material For Custom D Shaped Carabiner

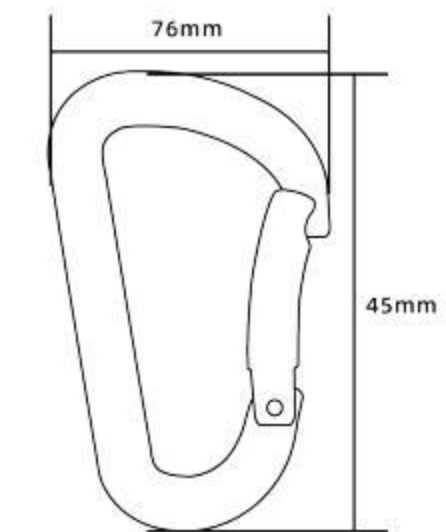
- Material: Aluminum alloy
- Min. Breaking load: 100kg
- Net weight: 20.4g
- Color: Any Color (Can be customized)



JS-A15004

Aluminium Material For Custom D Shaped Carabiner

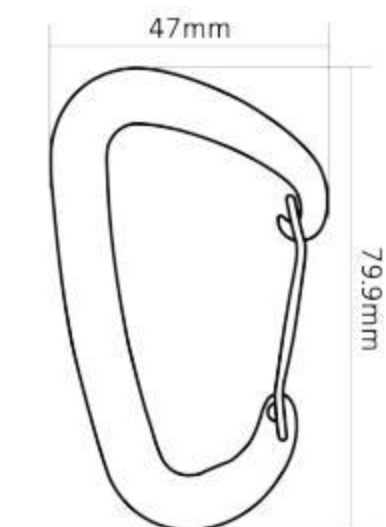
- Material: Aluminum alloy
- Min. Breaking load: 100kg
- Net weight: 22.4g
- Color: Any Color (Can be customized)



JS-A15011

Camping /Fishing /Hiking /Traveling Aluminum Carabiner

- Material: Aluminum 6061
- Min. Breaking load: 7KN
- Net weight: 23.8g
- Color: Any Color (Can be customized)



ALUMINUM SWIVEL RING

铝旋转环

F

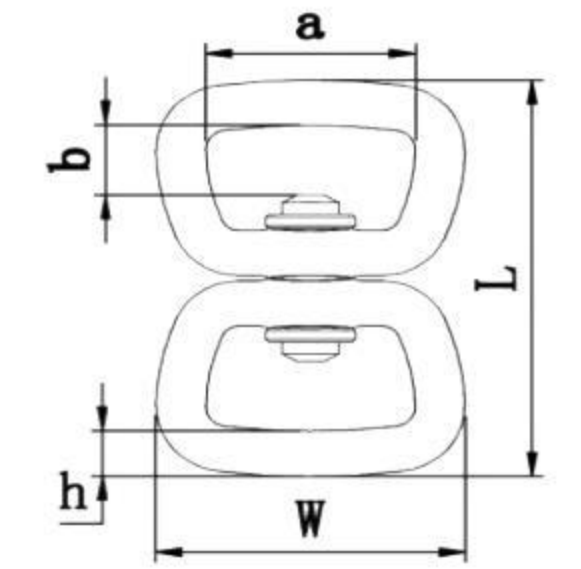


JS-A+A

High Quality Aluminum Double Eye Swivel Round Ring

- Material: A7075
- Min. Breaking load: 5kN
- Net weight: 11g
- Color: Any Color (Can be customized)

L	W	a	b	h	
41.7	29.7	20.1	7.3	4.8	mm

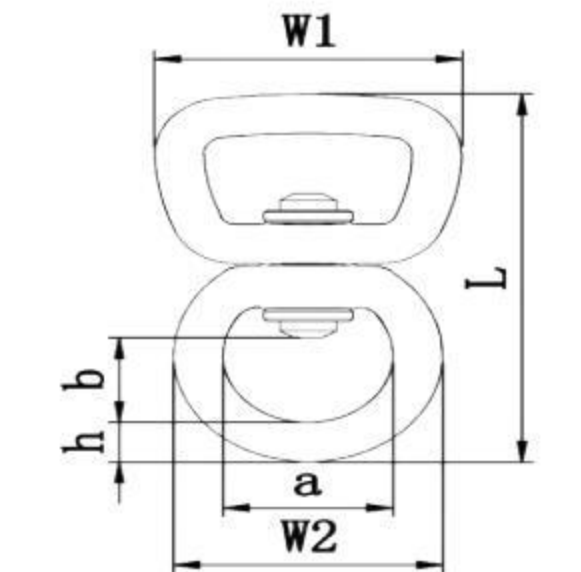


JS-A+B

Aluminum Alloy Swivel Rings

- Material: A7075
- Min. Breaking load: 5kN
- Net weight: 11.7g
- Color: Any Color (Can be customized)

L	W1	W2	a	b	h	
44.6	29.7	26	16.3	10.3	4.8	mm

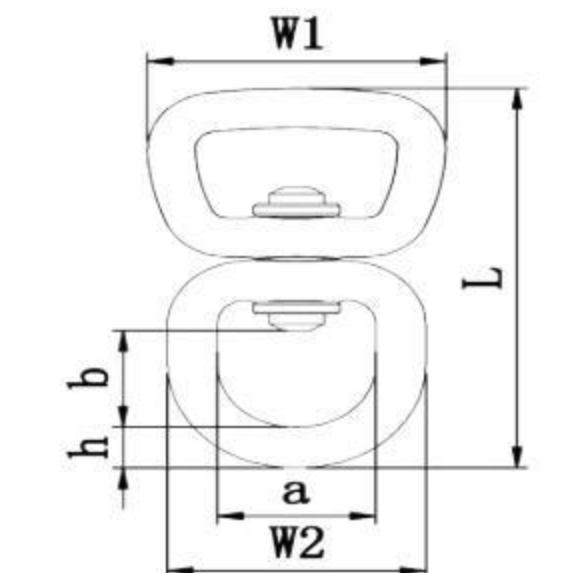


JS-A+C

Swivel Ring

- Material: A7075
- Min. Breaking load: 5kN
- Net weight: 11.7g
- Color: Any Color (Can be customized)

L	W1	W2	a	b	h	
46.4	29.7	25.7	15.7	11.8	5	mm

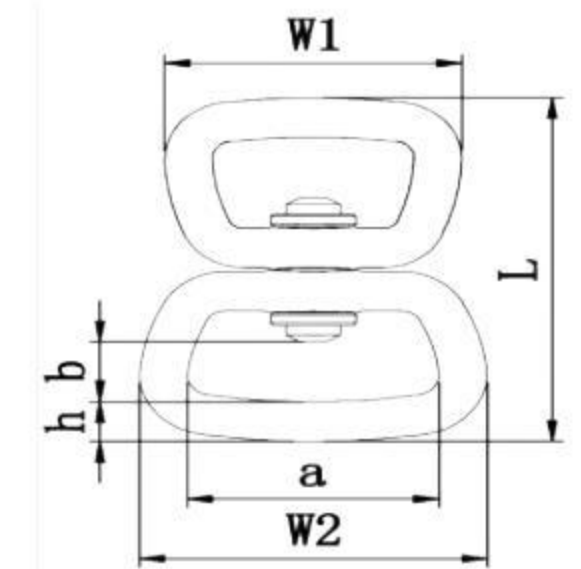


JS-A+D

Aluminum Double Eye Swivel Ring

- Material: A7075
- Min. Breaking load: 4kN
- Net weight: 12.1g
- Color: Any Color (Can be customized)

L	W1	W2	a	b	h	
41.7	29.7	34.7	25.1	7.3	4.8	mm

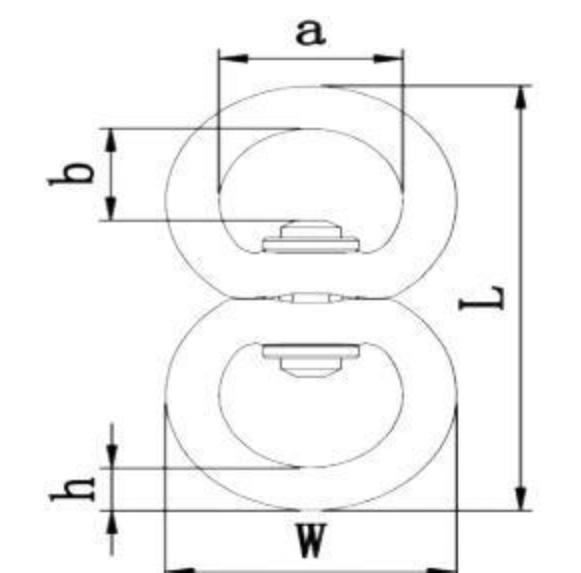


JS-B+B

5KN Breaking Force Aluminum Double Swivel Ring

- Material: A7075
- Min. Breaking load: 5kN
- Net weight: 11.9g
- Color: Any Color (Can be customized)

L	W	a	b	h	
47.6	26	16.3	10.3	4.8	mm



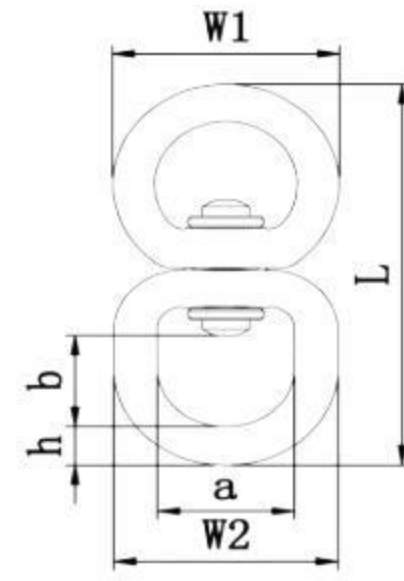
JS-B+C

Round Eye Chain Swivel Ring For Lifting

- Material: A7075
- Min. Breaking load: 5kN
- Net weight: 12.05g
- Color: Any Color (Can be customized)

L	W1	W2	a	b	h
49.4	26	25.7	15.7	11.8	5

mm



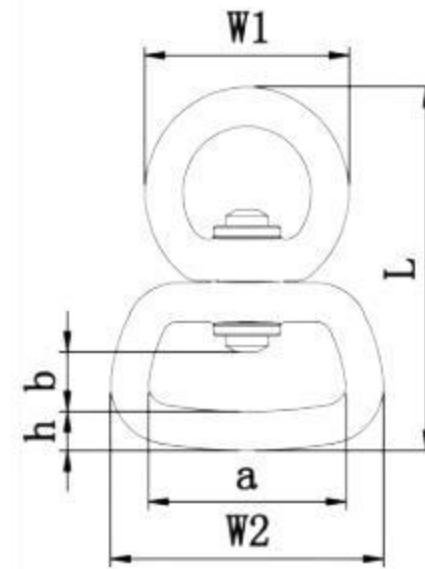
JS-B+D

Hardware Heavy Duty Alumium Round Swivel Ring

- Material: A7075
- Min. Breaking load: 5kN
- Net weight: 12.4g
- Color: Any Color (Can be customized)

L	W1	W2	a	b	h
44.6	26	34.7	25.1	7.3	4.8

mm



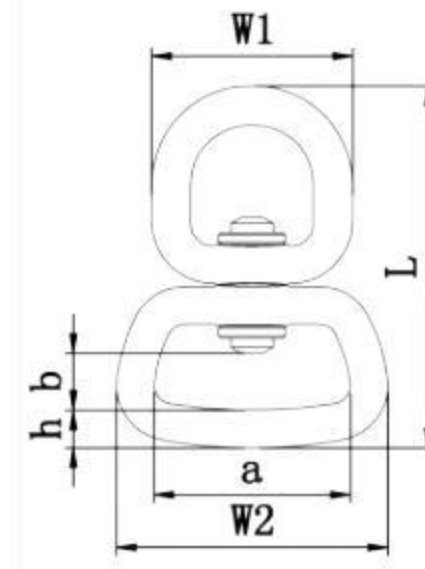
JS-C+D

Hardware Heavy Duty Alumium Round Swivel Ring

- Material: A7075
- Min. Breaking load: 4kN
- Net weight: 12.7g
- Color: Any Color (Can be customized)

L	W1	W2	a	b	h
46.4	25.7	34.7	25.1	7.3	4.8

mm



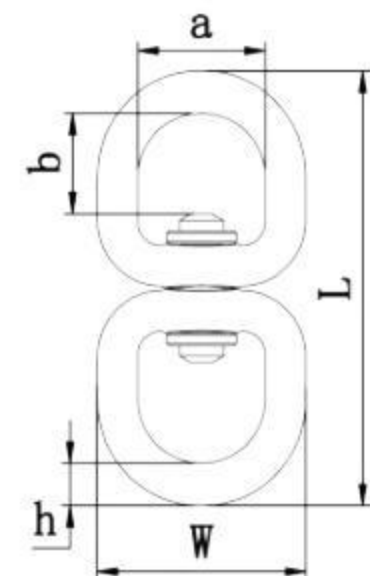
JS-C+C

Hardware Heavy Duty Alumium Round Swivel Ring

- Material: A7075
- Min. Breaking load: 4kN
- Net weight: 12.7g
- Color: Any Color (Can be customized)

L	W	a	b	h
51.1	25.7	15.7	11.8	5

mm



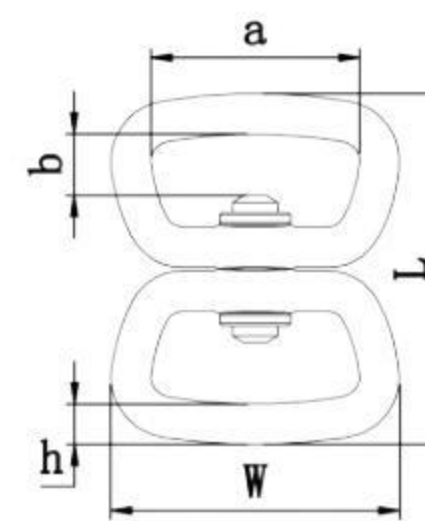
JS-D+D

Hot Sales Aluminum Lifting Eye Swivel / Ring

- Material: A7075
- Min. Breaking load: 4kN
- Net weight: 13.2g
- Color: Any Color (Can be customized)

L	W	a	b	h
41.7	34.7	25.1	7.3	4.8

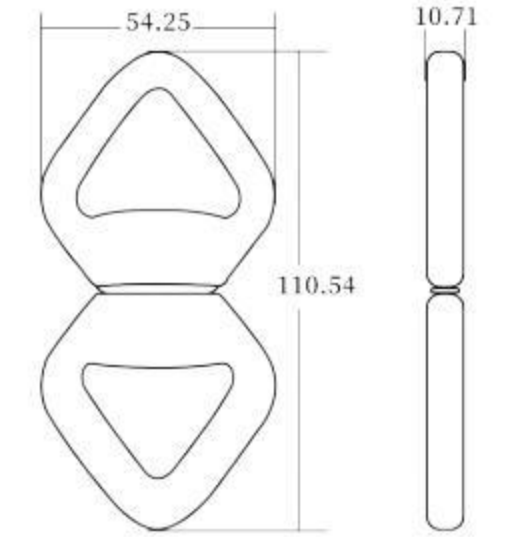
mm



JS-E+E

Hot Sales Aluminum Lifting Eye Swivel / Ring

- Material: A6082
- Min. Breaking load: 30kN
- Net weight: 136.9g
- Color: Any Color (Can be customized)



JS-F+F

Hot Sales Aluminum Lifting Eye Swivel / Ring

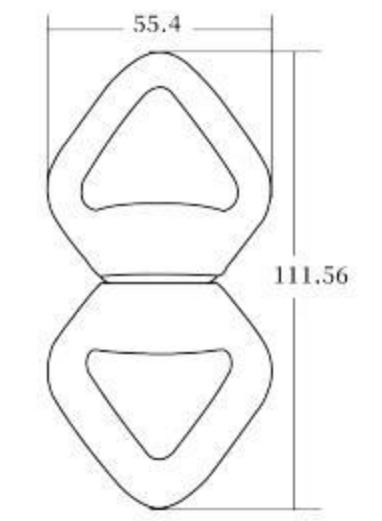
- Material: A6082
- Min. Breaking load: 30kN
- Net weight: 132.8g
- Color: Any Color (Can be customized)



JS-E+E+(Fe)

Lifting Double Eye Swivel / Ring

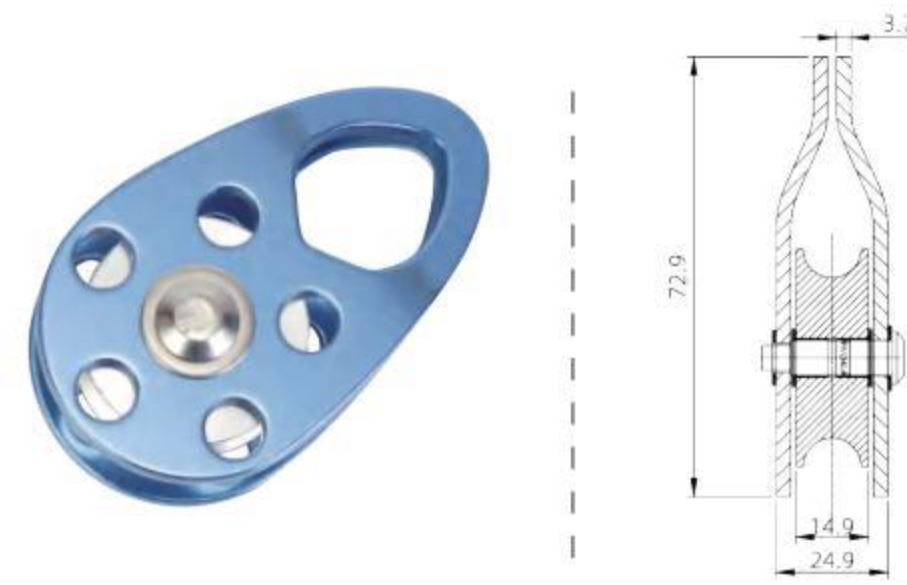
- Sheet steel, Heat treated
- Min. Breaking load: 30kN



JS-A8901

Aluminum Mobile Pulley

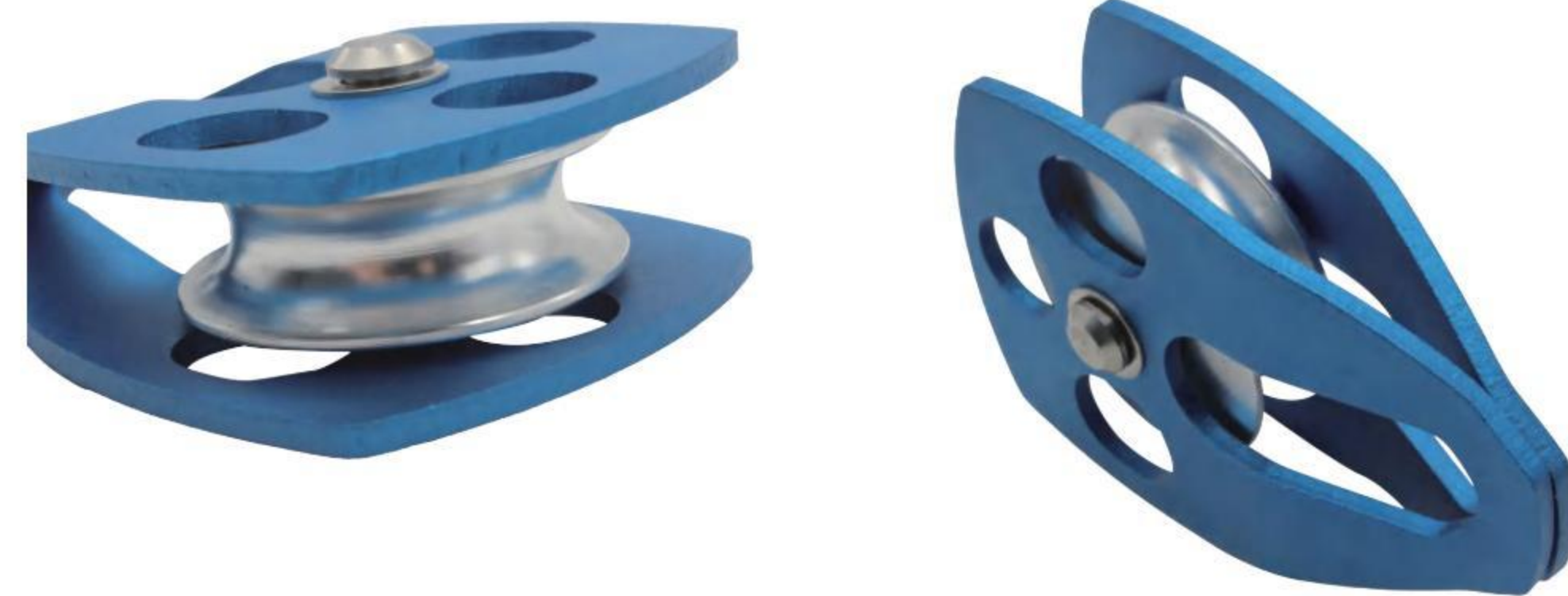
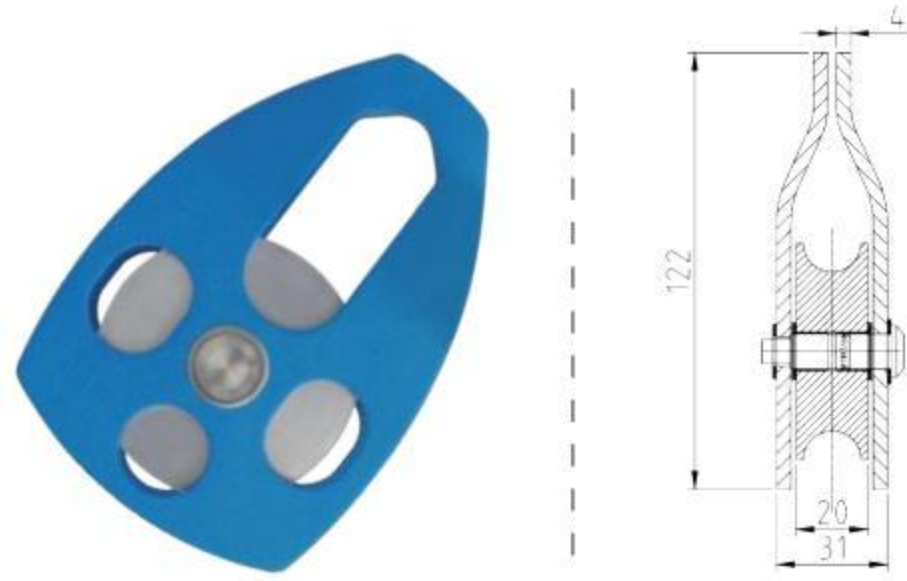
- Material: A7075
- Min. Breaking load: 2000kg (静态) 1000kg (动态)
- Net weight: 74g
- Color: Any Color (Can be customized)



JS-A8901-1

Aluminum Mobile Pulley

- Material: A7075
- Min. Breaking load: 2000kg (静态) 1000kg (动态)
- Net weight: 260g
- Color: Any Color (Can be customized)



JS-A8903

Aluminum Mobile Pulley

- Material: A7075
- Min. Breaking load: 150kg
- Net weight: 159g
- Color: Any Color (Can be customized)



ALUMINUM

STEEL SNAP HOOK

铝安全扣

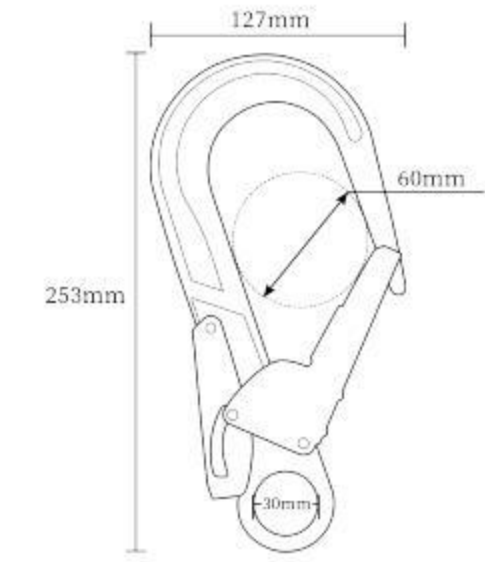
G



JS-A2031

High Quality Aluminum Steel Snap Hook

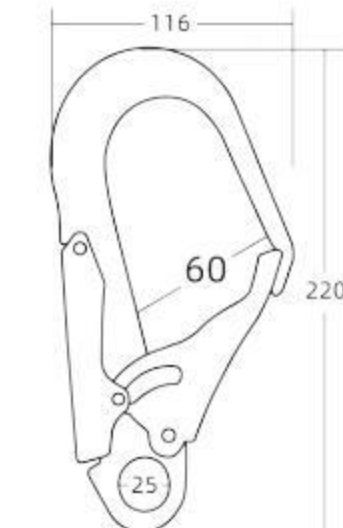
- Material: Aluminum Hook
- Min. Breaking load: 25kN
- Net weight: 466.6g
- Meets Or Exceeds: EN362:2004



JS-A2022

High Quality Aluminum Steel Snap Hook

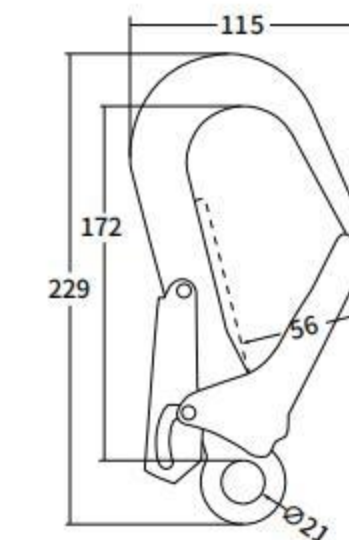
- 100% Proof loaded to 3600lbs/16kN
- Min. Breaking load: 5000lbs/25kN
- Net weight: 227.6g
- Meets or Exceeds: EN362:2004



JS-A2012

High Quality Aluminum Steel Snap Hook

- Min. Breaking load: 4500lbs/20kN
- Net weight: 240g
- Meets or Exceeds:



ALUMINUM D-RING

铝环类

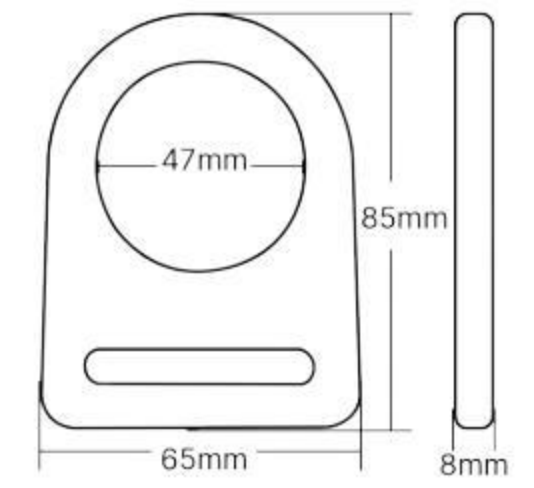


H

JS-A3001

Aluminum D-Ring

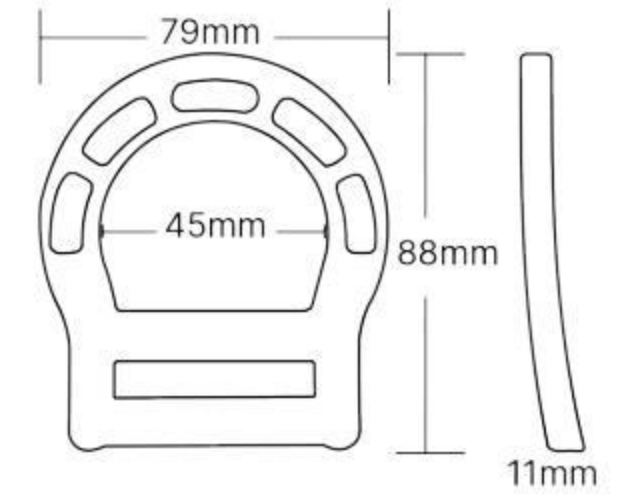
- Material: Sheet aluminum, Heattreated
- Min. Breaking load: 23KN
- Net weight: 58g
- Color: Any Color (Can be customized)



JS-A3002

Aluminum Bent D-Ring

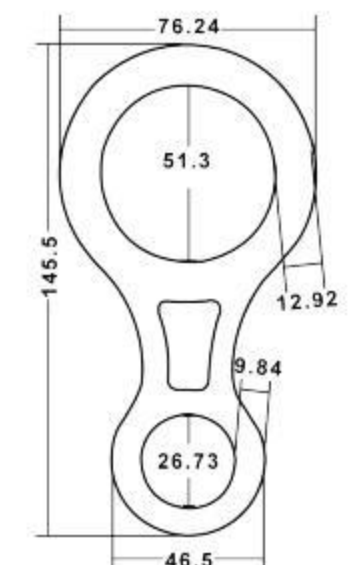
- Material: Sheet aluminum, Heattreated
- Min. Breaking load: 23KN
- Net weight: 80.6g
- Color: Any Color (Can be customized)



JS-A3025

Aluminum Figure 8 Ring

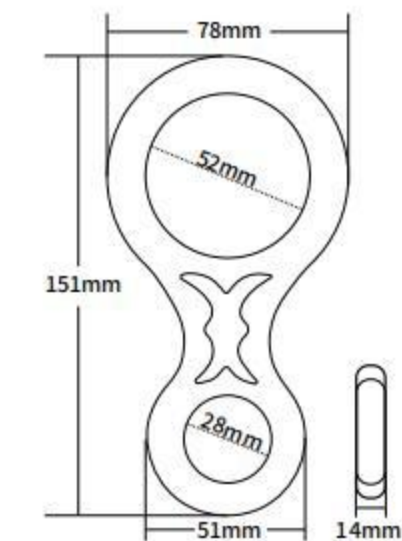
- Material: A6082
- Min. Breaking load: 30kN
- Net weight: 131g
- Color: Any Color (Can be customized)



JS-A3025-1

Aluminum Figure 8 Ring

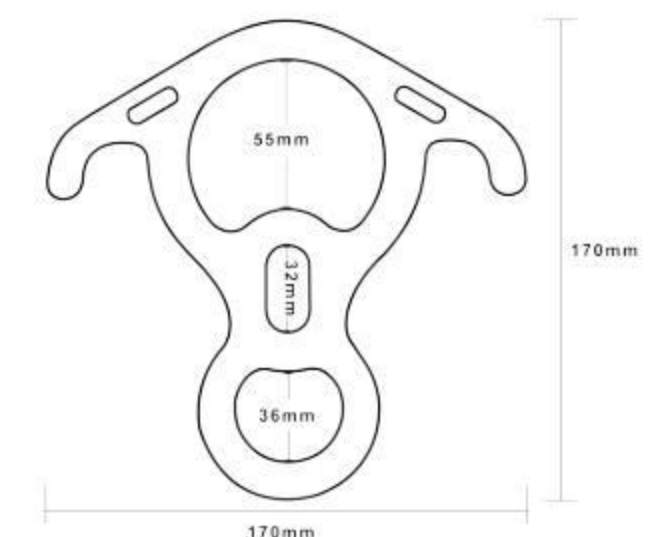
- Material: 7075
- Min. Breaking load: 50kN
- Net weight: 159g
- Color: Any Color (Can be customized)



JS-A3026

Aluminum Bull Horn Figure 8 Ring

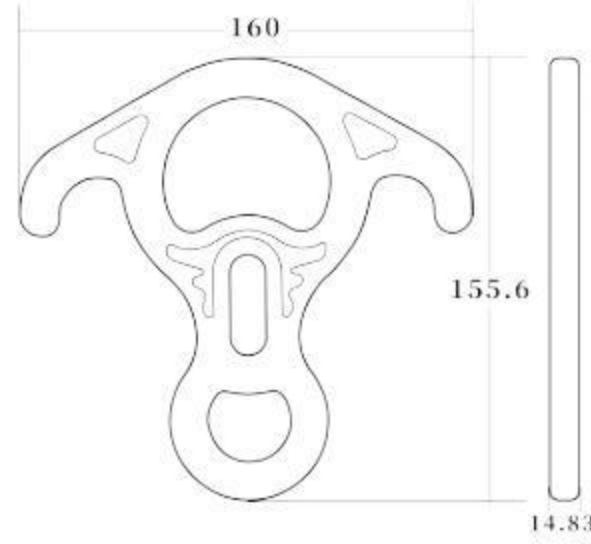
- Material: A6082
- Min. Breaking load: 50kN
- Net weight: 284.5g
- Color: Any Color (Can be customized)



JS-A3026-1

Aluminum Bull Horn Figure 8 Ring

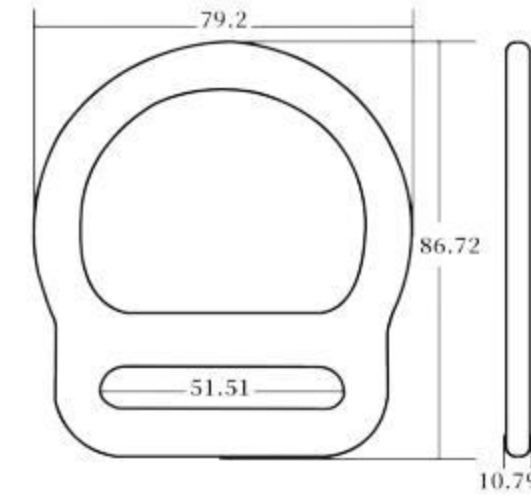
- Material: A6082
- Min. Breaking load: 50kN
- Net weight: 273g
- Color: Any Color (Can be customized)



JS-A3005

Outdoor Climb Fall Protection Aluminum D-Ring

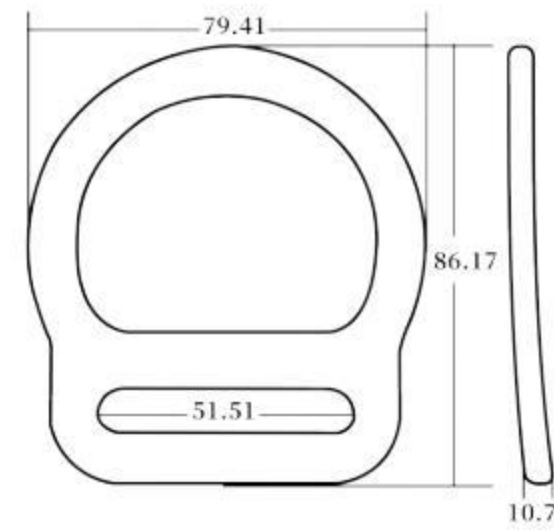
- Material: Sheet aluminum, Heattreated
- Min. Breaking load: 23kN
- Net weight: 68.7g
- Color: Any Color (Can be customized)



JS-A3005-1

Outdoor Climb Fall Protection Aluminum Bent D-Ring

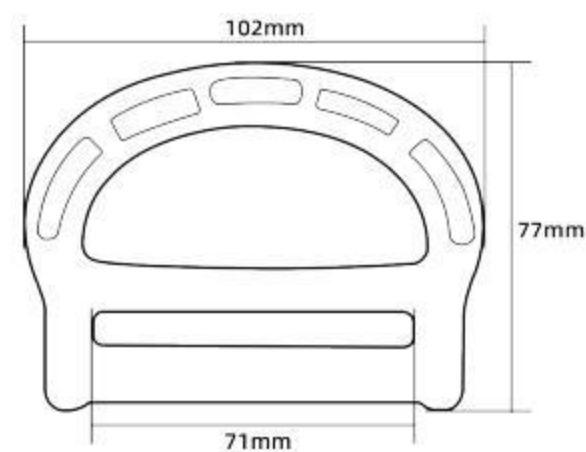
- Forged steel, Heat treated
- Min. Breaking load: 23kN
 - Net weight: 70.8g
 - Color: Any Color (Can be customized)



JS-A3021

Outdoor Climb Fall Protection Aluminum D Ring

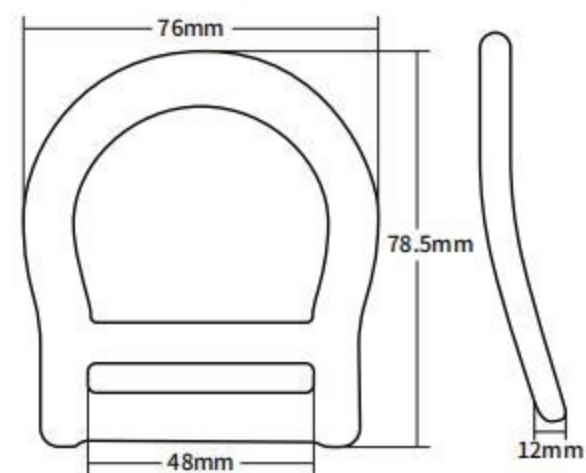
- Material: Sheet aluminum, Heattreated
- Min. Breaking load: 23kN
- Net weight: 83g
- Color: Any Color (Can be customized)



JS-A3022-1

Outdoor Climb Fall Protection Aluminum D Ring

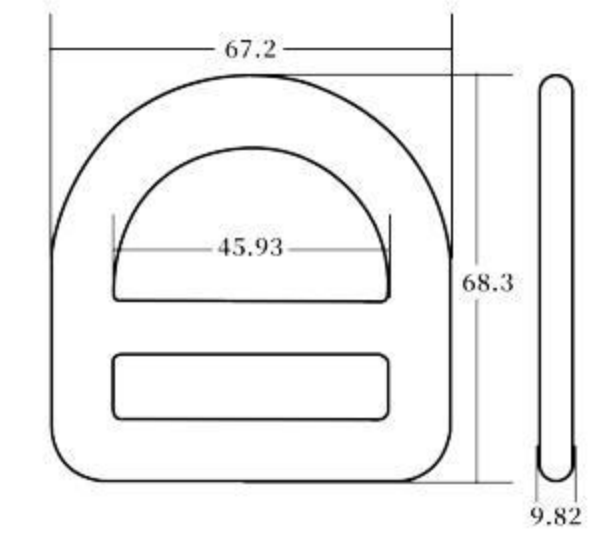
- Material: 7075
- Min. Breaking load: 25kN
- Net weight: 74g
- Color: Any Color (Can be customized)



JS-A3007

Outdoor Climb Fall Protection Aluminum D-Ring

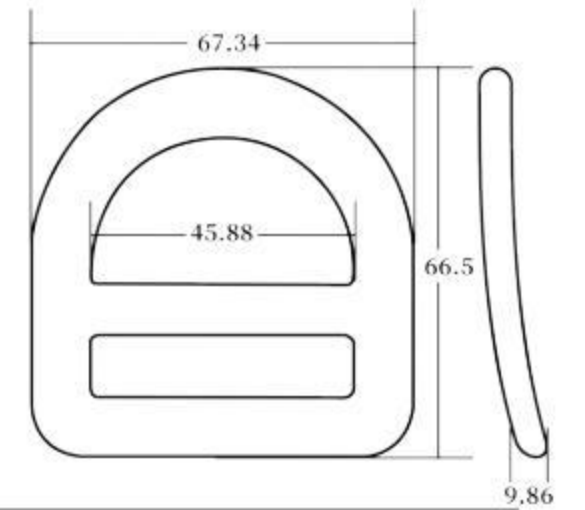
- Material: Sheet aluminum, Heattreated
- Min. Breaking load: 23kN
- Net weight: 56.7g
- Color: Any Color (Can be customized)



JS-A3007-1

Outdoor Climb Fall Protection Aluminum D-Ring

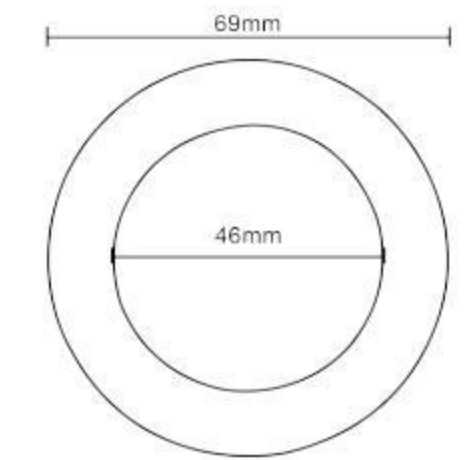
- Material: Sheet aluminum, Heattreated
- Min. Breaking load: 23kN
- Net weight: 57g
- Color: Any Color (Can be customized)



JS-A3011-7

Aluminium O-Ring

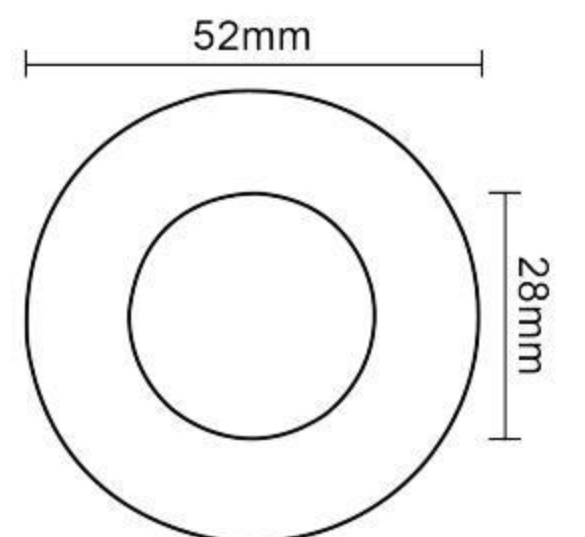
- Material: A7075
- Min. Breaking load: 36kN
- Net weight: 57g
- Color: Any Color (Can be customized)



JS-A3011-8

Aluminium O-Ring

- Material: A6082
- Min. Breaking load: 25kN
- Net weight: 38g
- Color: Any Color (Can be customized)



ALUMINUM BUCKLE

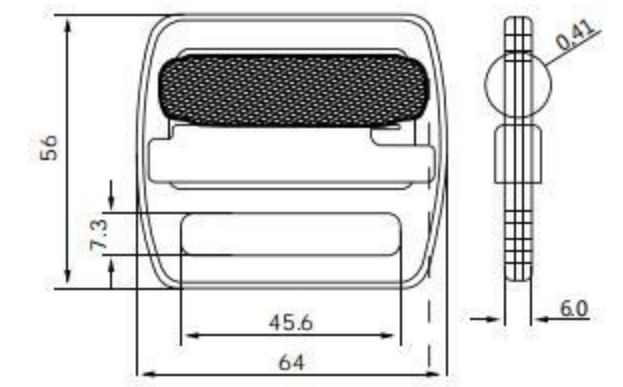
铝巴扣



JS-A4001

Aluminum Adjuster Buckle For Fall Protection /Bags /Luggages

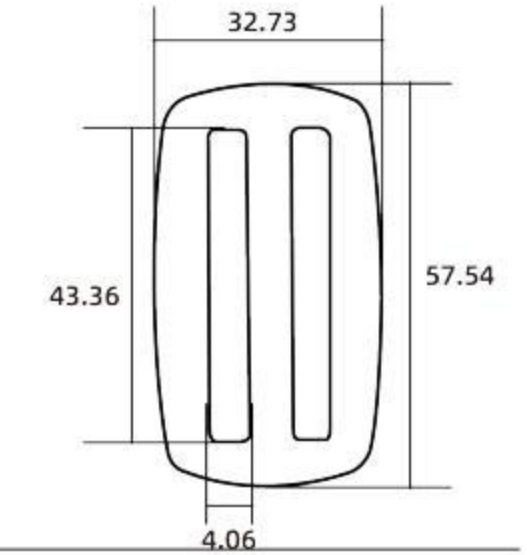
- Material: Aluminum 7075
- Min. Breaking load: 9KN
- Net weight: 55.4g
- Color: Any Color (Can be customized)



JS-A4002

Aluminum Adjuster For Fall Protection /Bags /Luggages

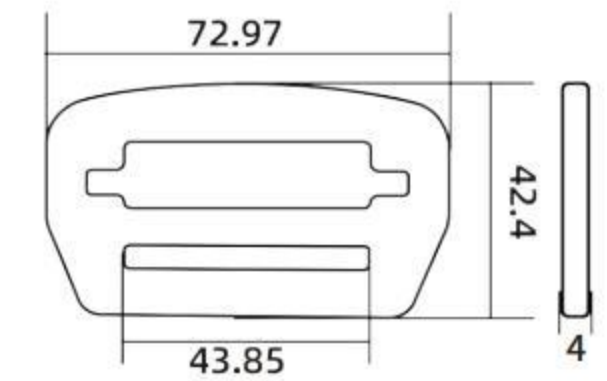
- Material: Aluminum 7075
- Min. Breaking load: 9KN
- Net weight: 12.3
- Color: Any Color (Can be customized)



JS-A4003

Aluminum Buckle For Fall Protection /Bags /Luggages

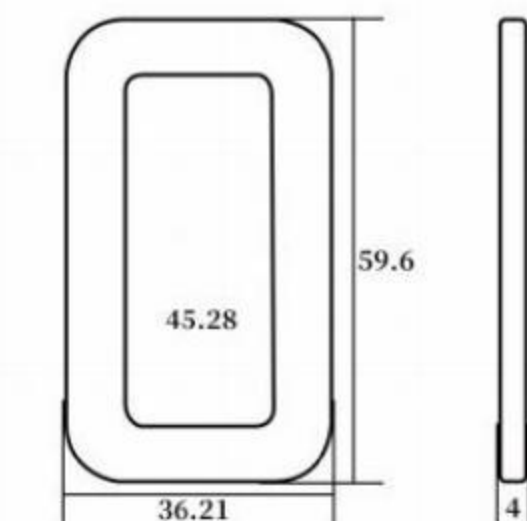
- Material: Aluminum 7075
- Min. Breaking load: 9KN
- Net weight: 22.5g
- Color: Any Color (Can be customized)



JS-A4004

Aluminum Rectangle buckle For Fall Protection / Bags /Luggages

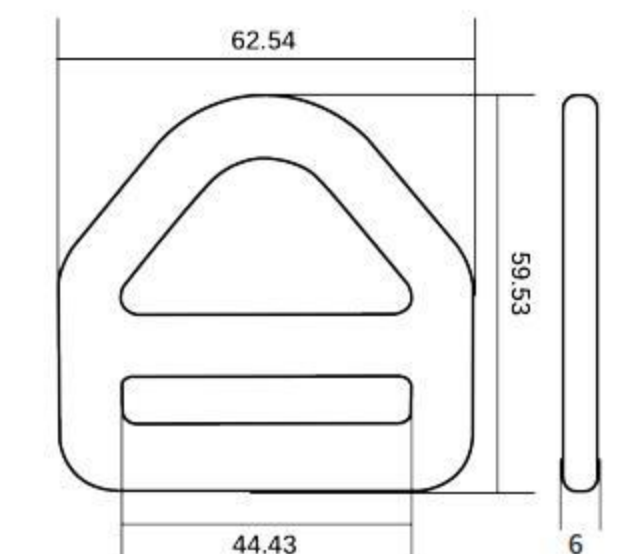
- Material: Aluminum 7075
- Min. Breaking load: 9KN
- Net weight: 15g
- Color: Any Color (Can be customized)



JS-A4008

Aluminum Buckle For Fall Protection /Bags /Luggages

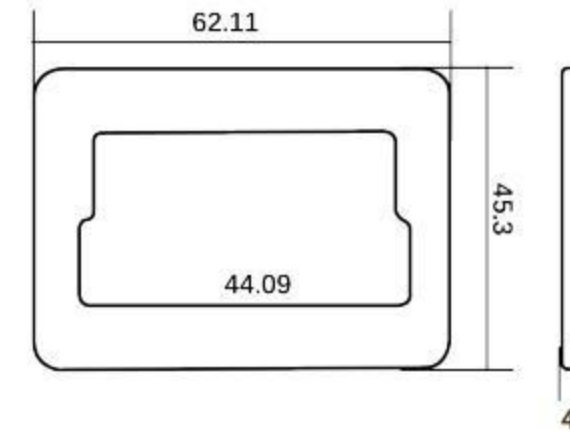
- Material: Aluminum 7075
- Min. Breaking load: 12KN
- Net weight: 34g
- Color: Any Color (Can be customized)



JS-A4011

Aluminum Buckle For Fall Protection /Bags / Luggages

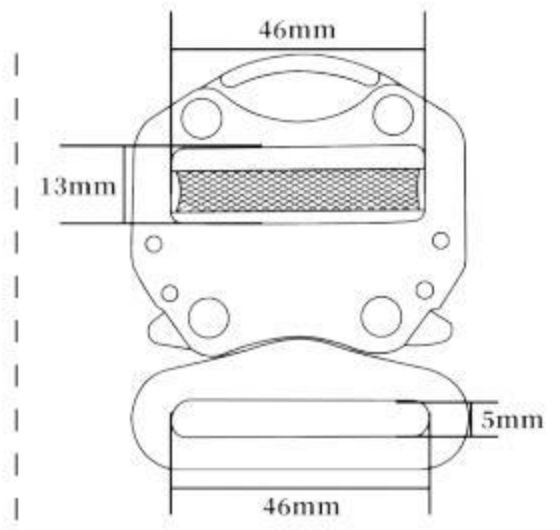
- Material: Aluminum7075
- Min. Breaking load: 9KN
- Net weight: 18.4g
- Color: Any Color (Can be customized)



JS-A4028

Aluminum Buckle For Fall Protection /Bags / Luggages

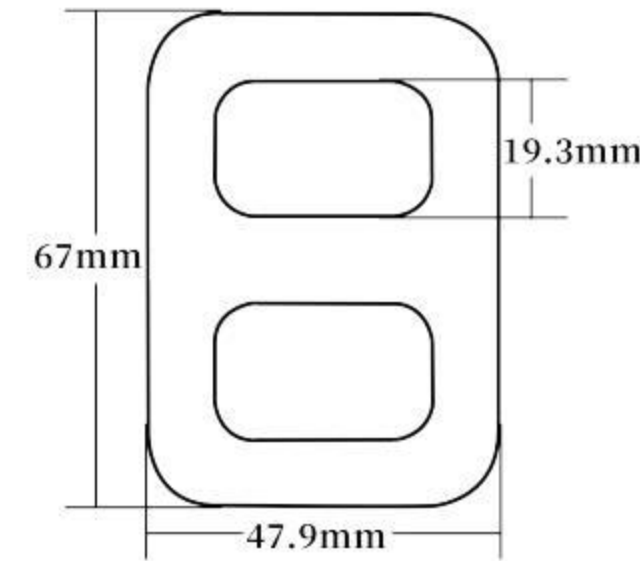
- Min. Breaking load: 18kN / 9kN
- Net weight: 83.3g
- Meets or Exceeds:



JS-A4012

Aluminum Long Adjuster

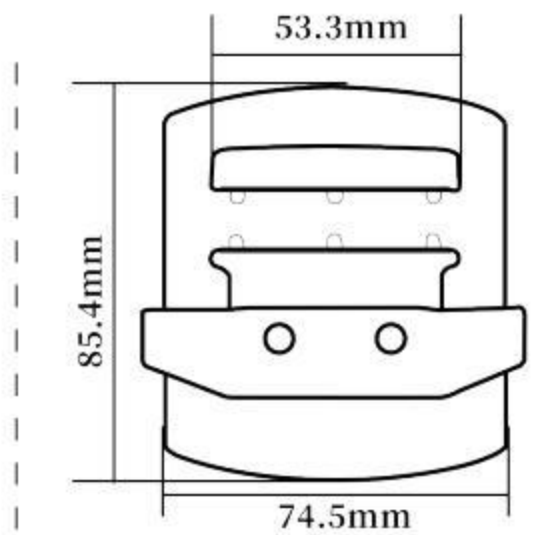
- Material: A6082
- Min. Breaking load: 23kN
- Net weight: 49g
- Color: Any Color (Can be customized)



JS-A4030

Aluminum Buckle For Fall Protection /Bags / Luggages

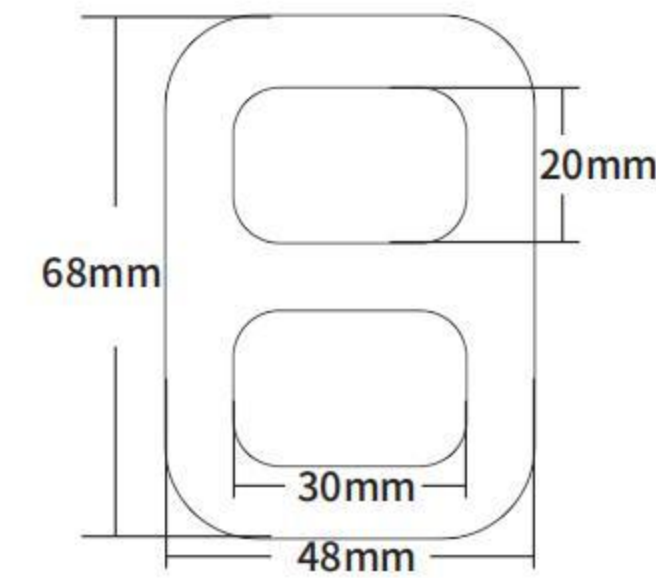
- Material: Aluminum7075
- Min. Breaking load: 9KN
- Net weight: 85g
- Color: Any Color (Can be customized)



JS-A4012-1

Aluminum Long Adjuster

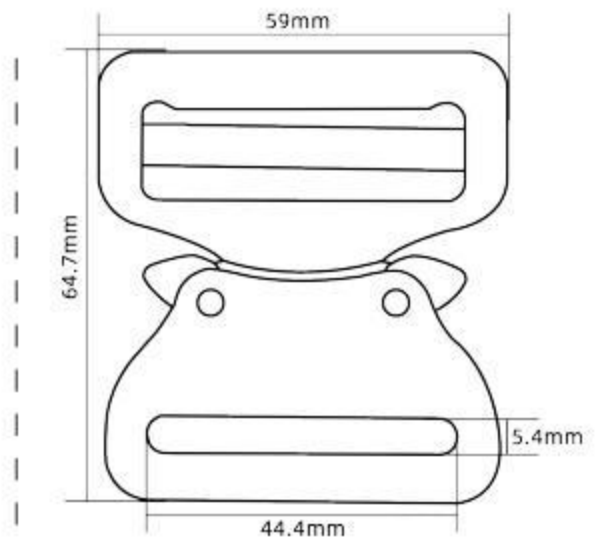
- Material: Aluminum7075
- Min. Breaking load: 23kN
- Net weight: 47g
- Color: Any Color (Can be customized)



JS-A4035

Aluminum Buckle For Fall Protection /Bags / Luggages

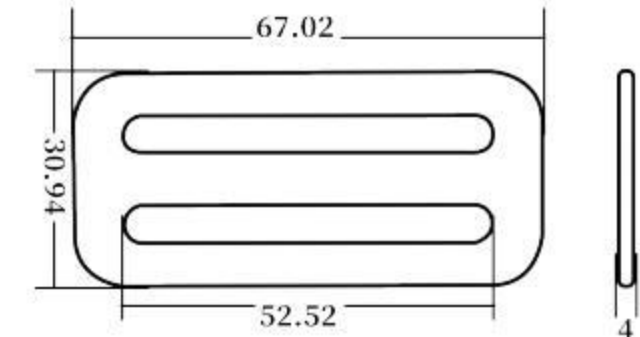
- Min. Breaking load: 18kN / 9kN
- Net weight: 89.3g
- Color: Any Color (Can be customized)



JS-A4015

Aluminum Buckle For Fall Protection /Bags / Luggages

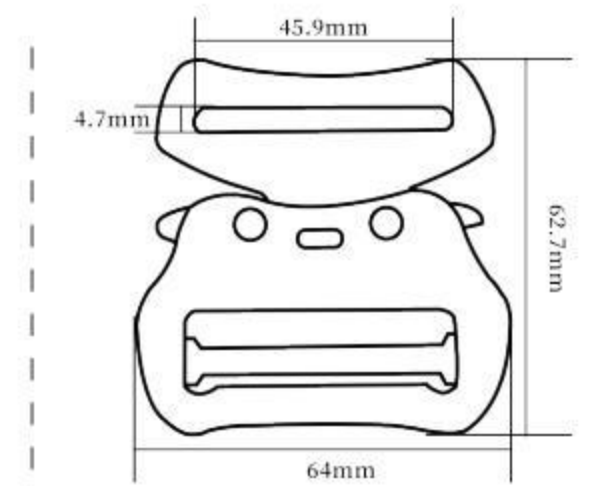
- Material: Aluminum7075
- Min. Breaking load: 2000lbs/9kN
- Net weight: 15g



JS-A4035-1

Aluminum Buckle For Fall Protection /Bags / Luggages

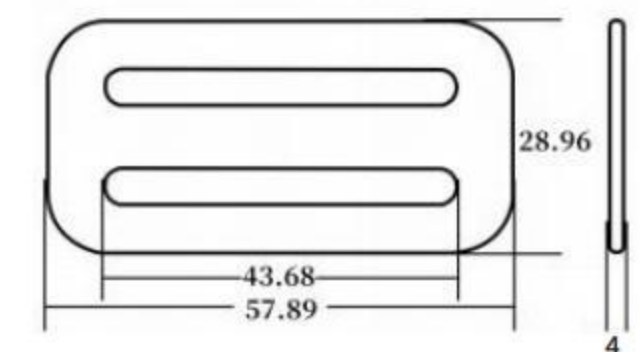
- Min. Breaking load: 18kN / 9kN
- Net weight: 80.4g
- Color: Any Color (Can be customized)



JS-A4021

Aluminum Buckle For Fall Protection /Bags / Luggages

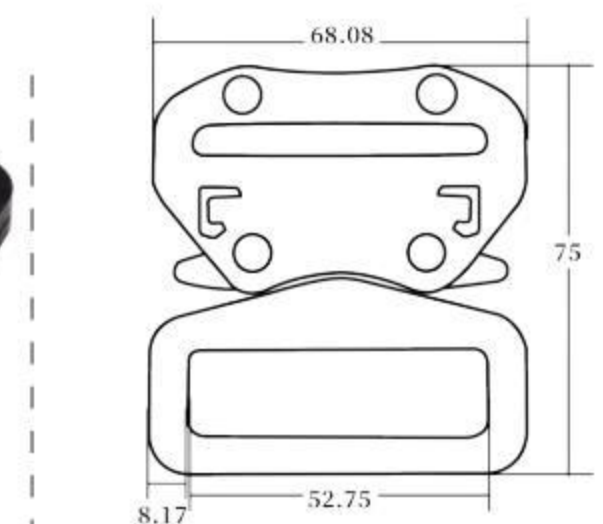
- Material: Aluminum7075
- Min. Breaking load: 9KN
- Net weight: 13.5g
- Color: Any Color (Can be customized)



JS-A4037

Aluminum Buckle For Fall Protection /Bags / Luggages

- Min. Breaking load: 18kN / 9kN
- Net weight: 81g+15g
- Meets or Exceeds: ANSI Z359.12-19, CSA Z259.12-11

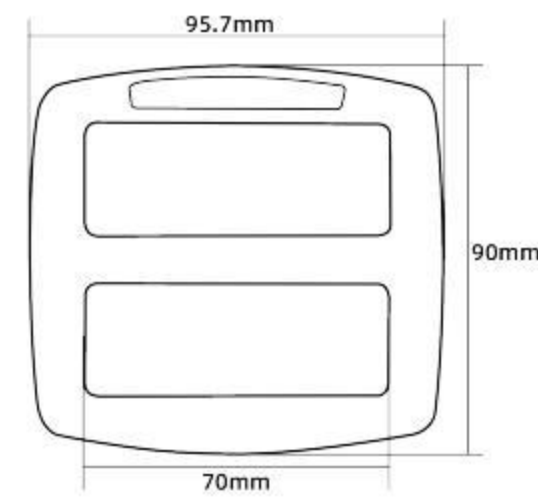


JS-A4040

Aluminum Buckle For Fall Protection /Bags / Luggages

Sheet aluminum, Heattreated

- Min. Breaking load: 23KN
- Net weight: 81.76g
- Meets or Exceeds:

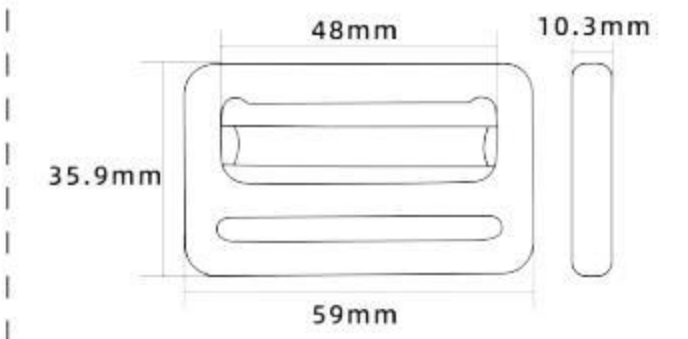


JS-A4048

Aluminum Buckle For Fall Protection /Bags / Luggages

• Min. Breaking load: 

- Net weight: 13g
- Meets or Exceeds:

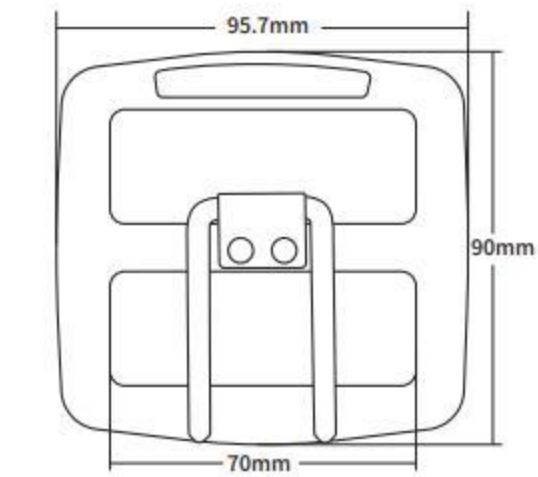


JS-A4040-1

Aluminum Buckle For Fall Protection /Bags / Luggages

Sheet aluminum, Heattreated

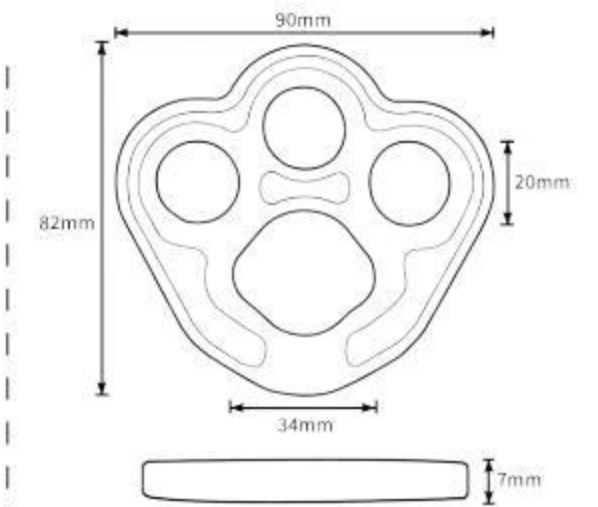
- Min. Breaking load: 23KN
- Net weight: 81.76g
- Meets or Exceeds:



JS-A4054

Rigging Plate

- Material: A7075
- Min. Breaking load: 10kN
- Net weight: 57g
- Color: Any Color (Can be customized)

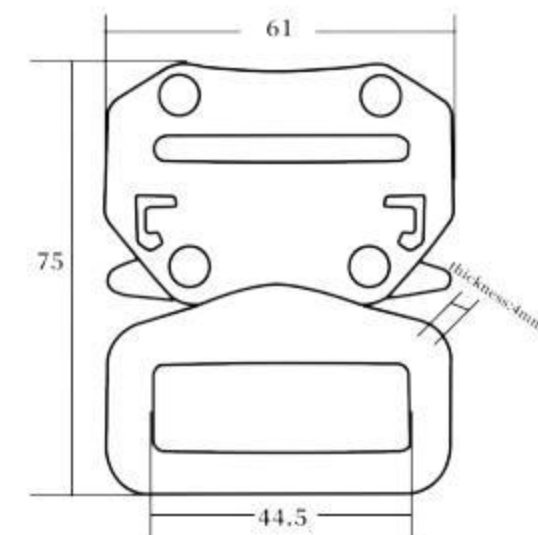


JS-A4045

Aluminum Buckle For Fall Protection /Bags / Luggages

• Min. Breaking load: 

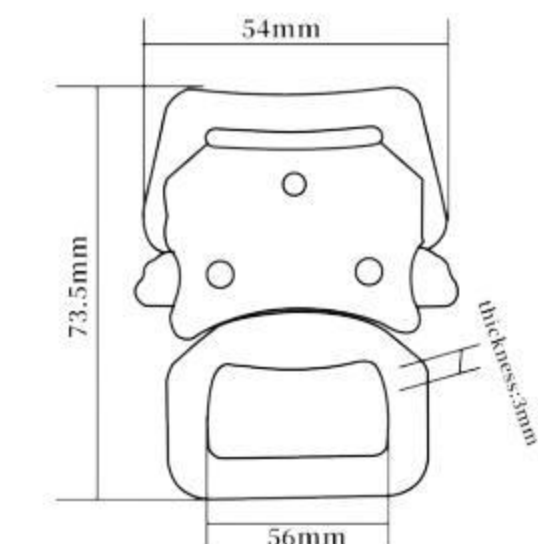
- Net weight: 80g
- Color: Any Color (Can be customized)



JS-A4046

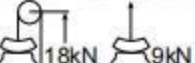
Aluminum Buckle For Fall Protection /Bags / Luggages

- Material: A6061
- Net weight: 55g
- Color: Any Color (Can be customized)

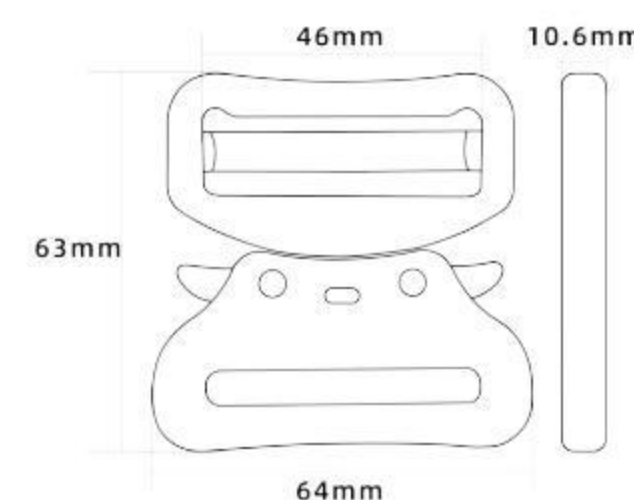


JS-A4047

Aluminum Buckle For Fall Protection /Bags / Luggages

• Min. Breaking load: 

- Net weight: 80.5g
- Color: Any Color (Can be customized)



J DIELECTRIC

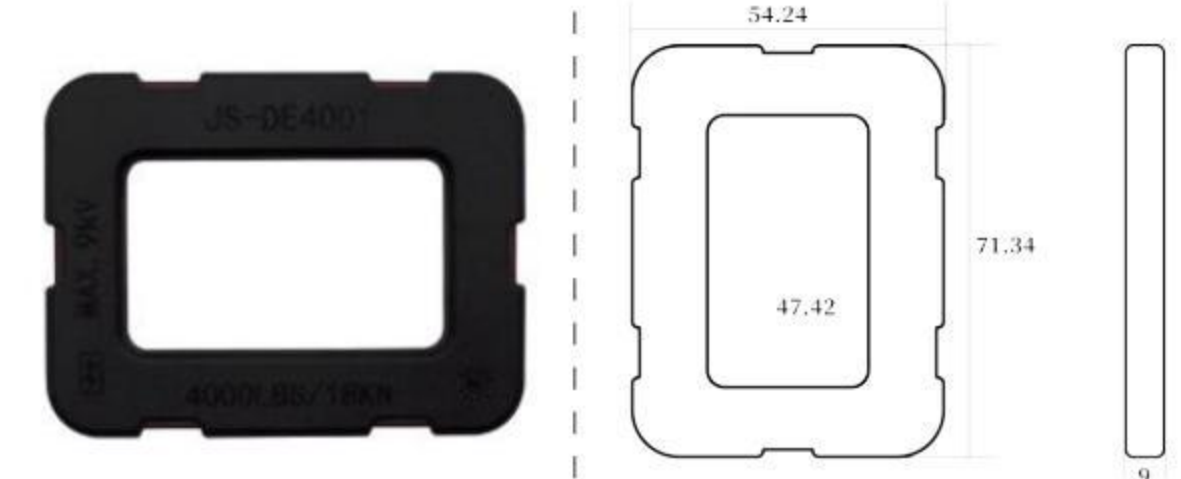
绝缘类



JS-DE4001

Dielectric Quick Buckle

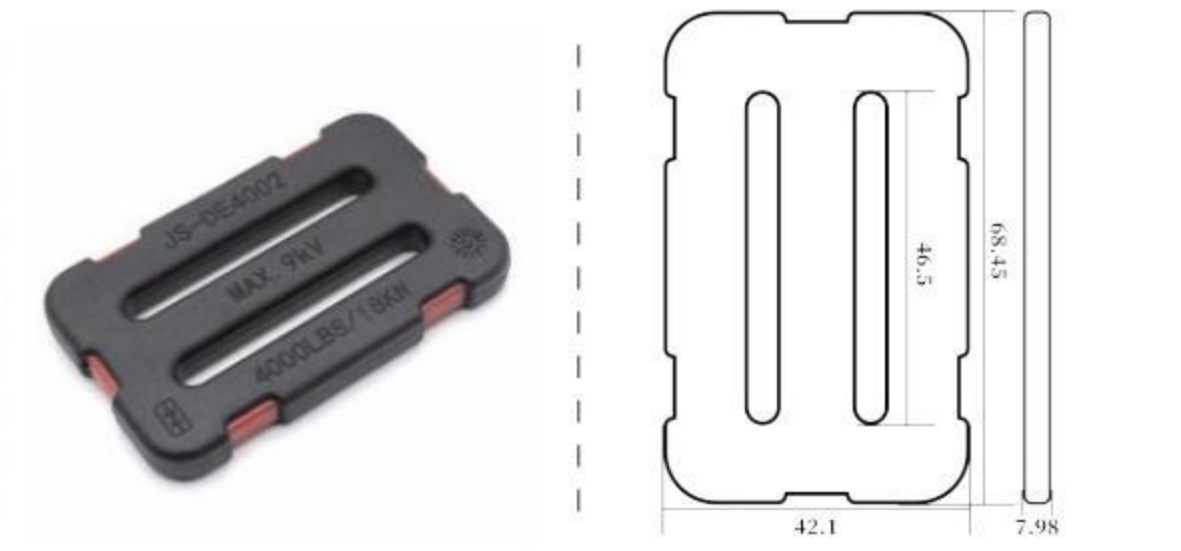
- Material: Plastic over Molded
- Min. Breaking load: 23kN
- Net weight: 54.4g
- Meets or Exceeds: ANSI z359.12-19, CSA Z259.12-16
Minimum 9KV Dielectric Resistance



JS-DE4002

Dielectric Quick Buckle

- Material: Plastic over Molded
- Min. Breaking load: 23kN
- Net weight: 52.5g
- Meets or Exceeds: ANSI z359.12-19, CSA Z259.12-16
Minimum 9KV Dielectric Resistance



JS-DE2011

High Quality Dielectric Rope Snap Hook

- Material: Plastic over Molded
- Min. Breaking load: 23kN
- Net weight: 276.1g
- Meets or Exceeds: EN362 : 2004
Minimum 9KV Dielectric Resistance



JS-DE2021

High Strength Dielectric Rope Snap Hook

- Material: Plastic over Molded
- Min. Breaking load: 23kN
- Net weight: 627.5g
- Meets or Exceeds: EN362 : 2004
Minimum 9KV Dielectric Resistance



JS-DE3025

Dielectric D-Ring

- Sheet steel, Heat treated
- 100% Proof loaded to 5000lbs/23kN
- Min. Breaking load: 23kN
- Net weight: 190g
- Meets or Exceeds: ANSI z359.12-19, CSA Z259.12-16
Minimum 9KV Dielectric Resistance



ROPE GRABBER

抓绳器

K

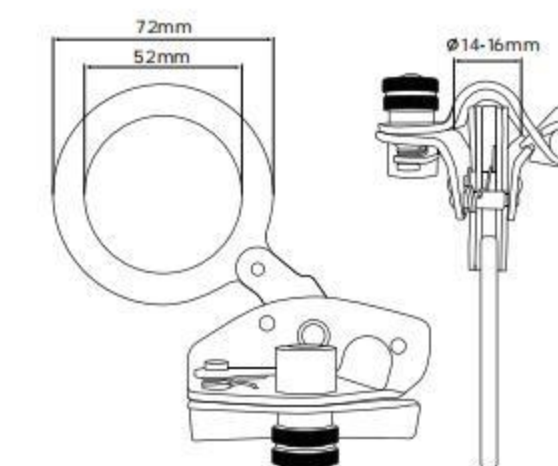


JS-7026

Rope Grabber Used For Integral Lanyard

Sheet steel, Heat treated

- Min. Breaking load: 15kN
- Net weight: 495.8g
- Meets or Exceeds:

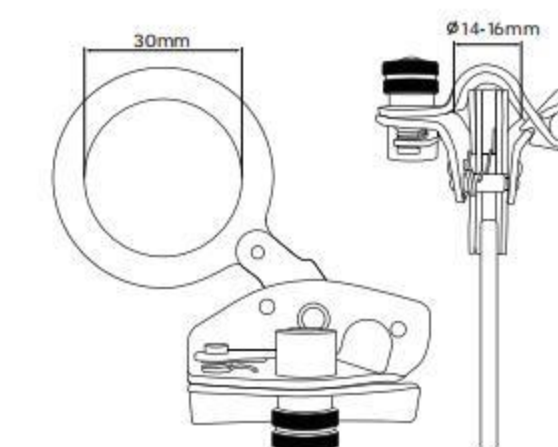


JS-7026-2

Rope Grabber Used For Integral Lanyard

Sheet steel, Heat treated

- Min. Breaking load: 15kN
- Net weight: 465g
- Meets or Exceeds:

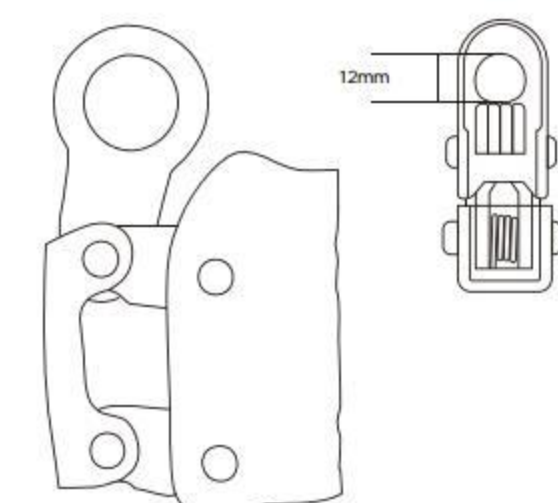


JS-7031

Rope Grabber With Eye

Sheet steel, Heat treated

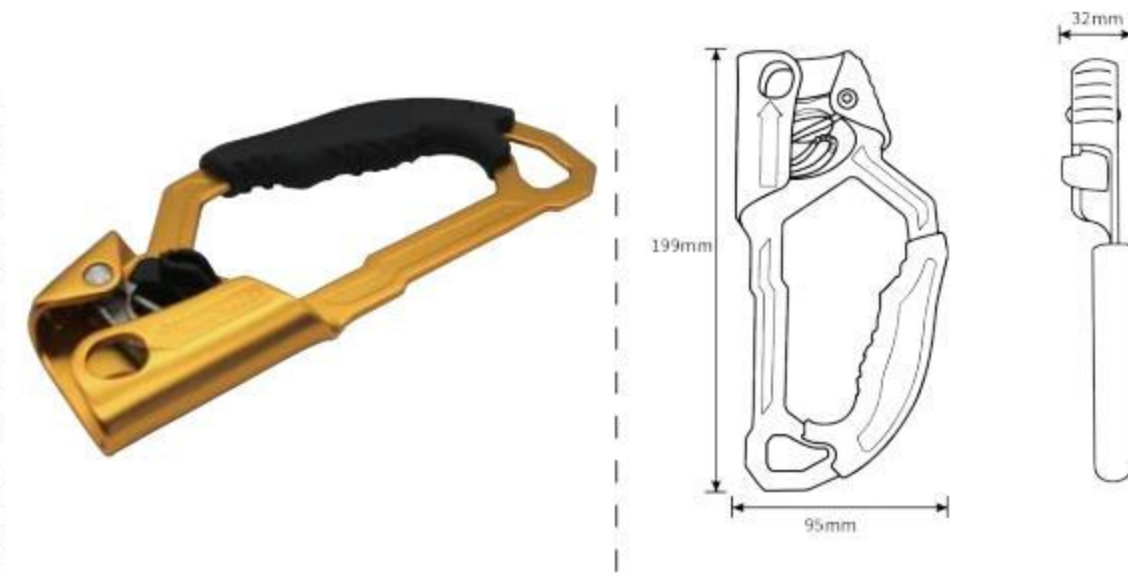
- Min. Breaking load: 12kN
- Net weight: 368g
- Color: Any Color (Can be customized)



JS-A7002

Aluminium Right Hand Riser

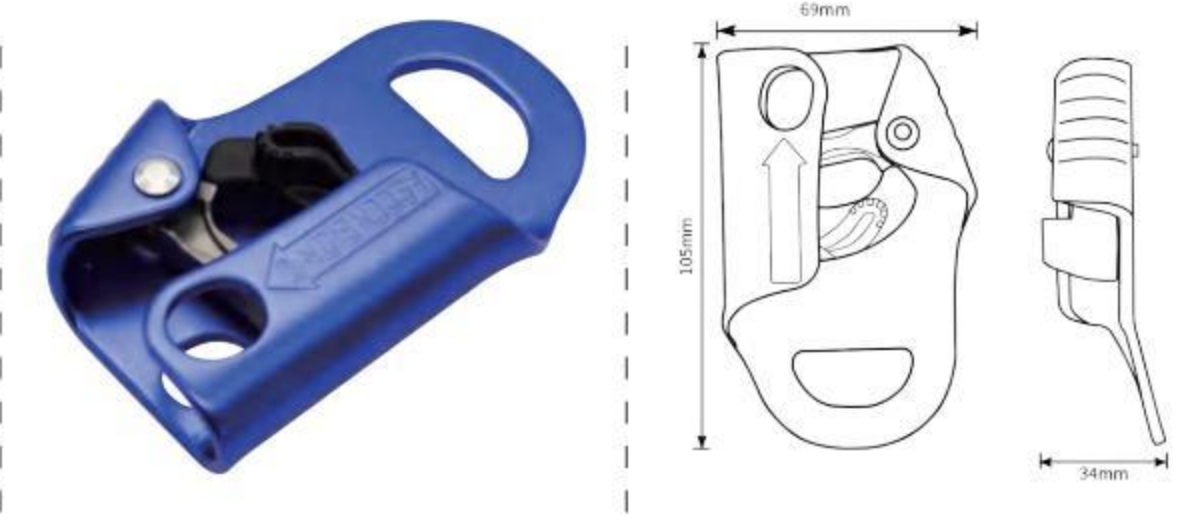
- Material: A7075
- Min. Breaking load: 740kg
- Net weight: 210g
- Color: Any Color (Can be customized)



JS-A7003

Climbing Technology Aluminium Chest Riser

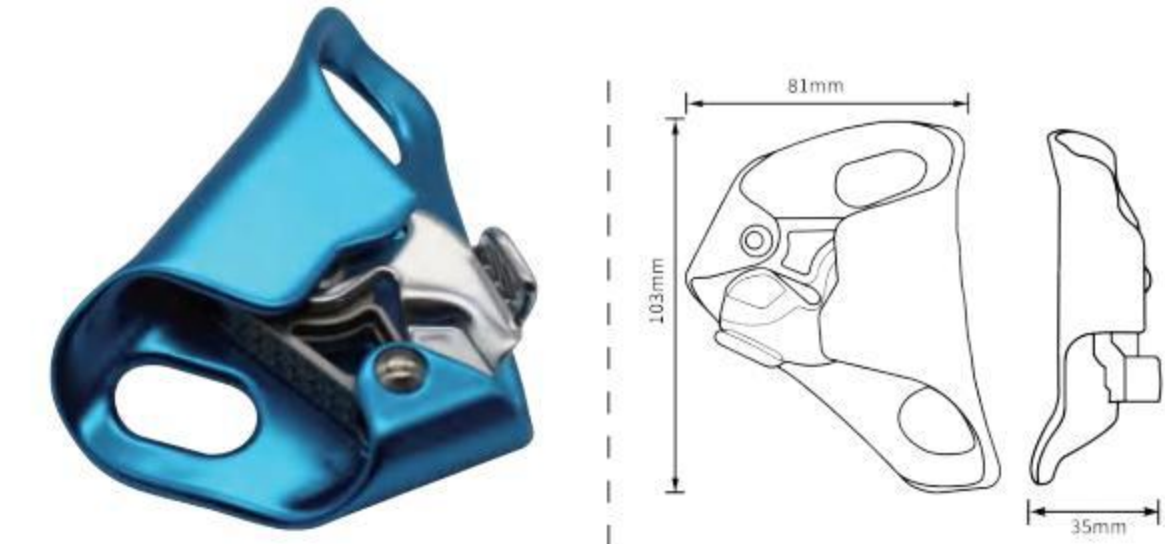
- Material: A7075
- Min. Breaking load: 650kg
- Net weight: 130g
- Color: Any Color (Can be customized)



JS-A7004

Climbing Technology Aluminium Chest Riser

- Material: A7075
- Min. Breaking load: 15kN/3M
- Net weight: 135g
- Color: Any Color (Can be customized)



JS-A7005

Climbing Technology Aluminium Chest Riser

- Material: 6082
- Min. Breaking load: 15kN
- Net weight: 253.4g
- Color: Any Color (Can be customized)

